



# Hawse Fairlead License Plate Bracket

RAM HD

## NEW PRODUCT

Please visit [www.aev-conversions.com](http://www.aev-conversions.com) to view the most current installation guide for this product.

This is a new product and we want to make sure that you receive the latest and most accurate information based on customer feedback, product revisions, and/or model year updates. We value customer feedback, so we encourage you to contact our Technical Support department if you have any suggestions on how to make the installation of this product easier or if you have any questions regarding the installation of this product. AEV's Technical Support can be reached by email at [tech@aev-conversions.com](mailto:tech@aev-conversions.com) or by giving us a call at (248)-926-0256.



## PLEASE READ BEFORE YOU START

To guarantee a quality installation, we recommend reading these instructions thoroughly before beginning any work. These instructions assume a certain amount of mechanical ability and are not written nor intended for someone not familiar with auto repair.

INCLUDED PARTS	QTY	REQUIRED TOOLS
License Plate Bracket	1	Common Hand Tools
License Plate Carrier	1	
Hardware Kit	1	



## I. VEHICLE PREPARATION

1. Remove your hawse fairlead (if previously installed).
  - a. Refer to the AEV RAM/Universal Hawse Fairlead Instruction sheet for guidance on removal and re-installation of an AEV Hawse Fairlead.

## II. INSTALLATION

1. Position the license plate bracket in between the front bumper and your hawse fairlead so the holes between all 3 components line up.
2. Install the respective bolts for your winch through the fairlead and license plate bracket into the feet of your winch.
3. Install the silver snap nuts into the top of your license plate bracket from the back. (Figure 1)

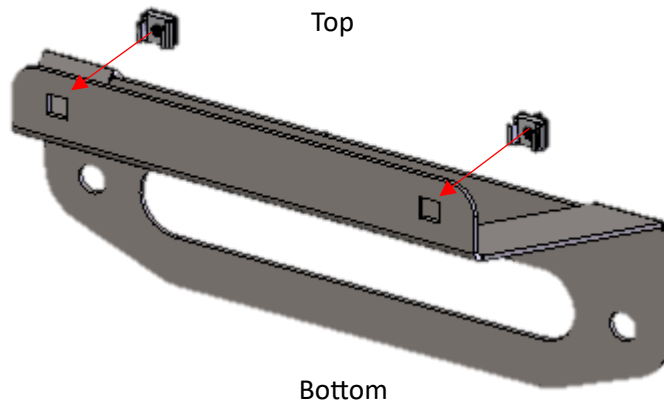


Figure 1

- a. It is suggested to use a screwdriver to help squeeze these into place.



4. Install the white plastic nut to the bottom of the license plate carrier from the front. (Figure 2)
5. Secure your license plate to the provided carrier by hand tightening the Hex Head Cap Screw (HHCS) to the bottom. Over tightening may strip the plastic. (Figure 2)
6. Install your license plate and the provided carrier to the bracket using the supplier thumb screws. Make sure to only hand tighten these, as excessive force can strip the thumb screws and deform the license plate. (Figure 2)

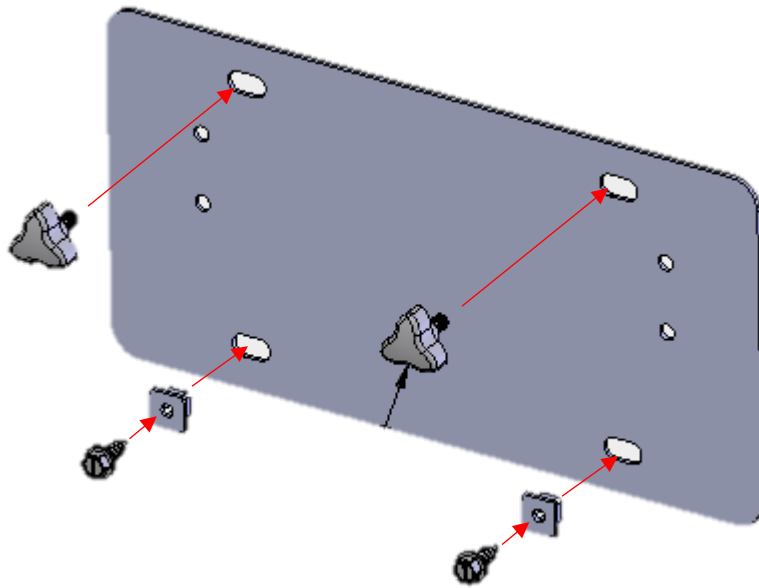


Figure 2