



# Mid-Size Fairlead

## Chevy Colorado/GMC Canyon

### NEW PRODUCT

Please visit [www.aev-conversions.com](http://www.aev-conversions.com) to view the most current installation guide for this product.

This is a new product and we want to make sure that you receive the latest and most accurate information based on customer feedback, product revisions, and/or model year updates. We value customer feedback, so we encourage you to contact our Technical Support department if you have any suggestions on how to make the installation of this product easier or if you have any questions regarding the installation of this product. AEV's Technical Support can be reached by email at [tech@aev-conversions.com](mailto:tech@aev-conversions.com) or by giving us a call at (248)-926-0256.



### PLEASE READ BEFORE YOU START

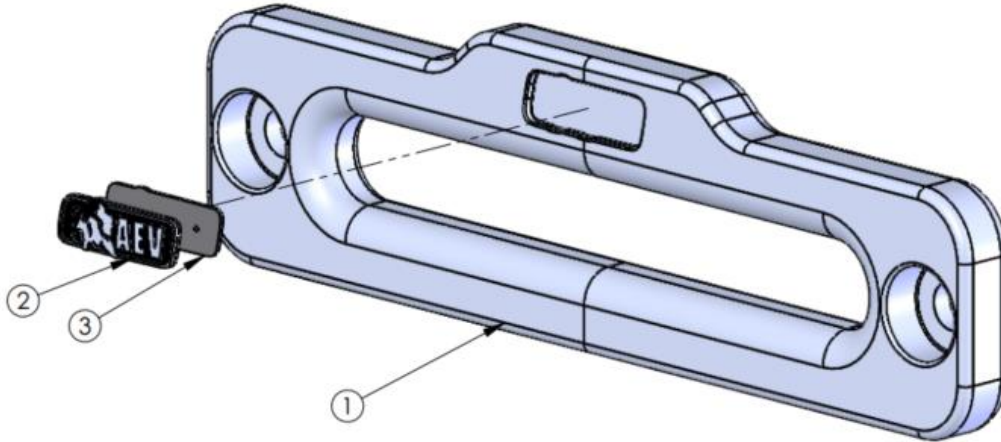
To guarantee a quality installation, we recommend reading these instructions thoroughly before beginning any work. These instructions assume a certain amount of mechanical ability and are not written nor intended for someone not familiar with auto repair.

| INCLUDED PARTS | QTY | REQUIRED TOOLS     |
|----------------|-----|--------------------|
| AEV Fairlead   | 1   | M18 Socket Wrench  |
| M10 Bolt       | 2   | Needle-Nose Pliers |
| M10 Washer     | 2   |                    |
| Alcohol Swab   | 1   |                    |
| AEV Badge      | 1   |                    |



## I. FAIRLEAD PREPARATION

1. Using Alcohol Swab provided – clean free of debris surface metal in bezel area where AEV badge will rest
2. Remove adhesive 3M backing from AEV Badge provided and set in bezel of AEV Fairlead



## II. REMOVE FAIRLEAD (if applicable)

1. Using reverse steps assembling fairlead, detach fairlead.
2. Needle-nose pliers helpful to remove pin through winch hook.



## III. ASSEMBLY ONTO BUMPER

1. Align Bumper and Fairlead openings, use M10 Bolt and Washer provided, torque M10 bolts to 58+/-6NM
2. Needle-nose pliers helpful to assemble pin through winch hook.