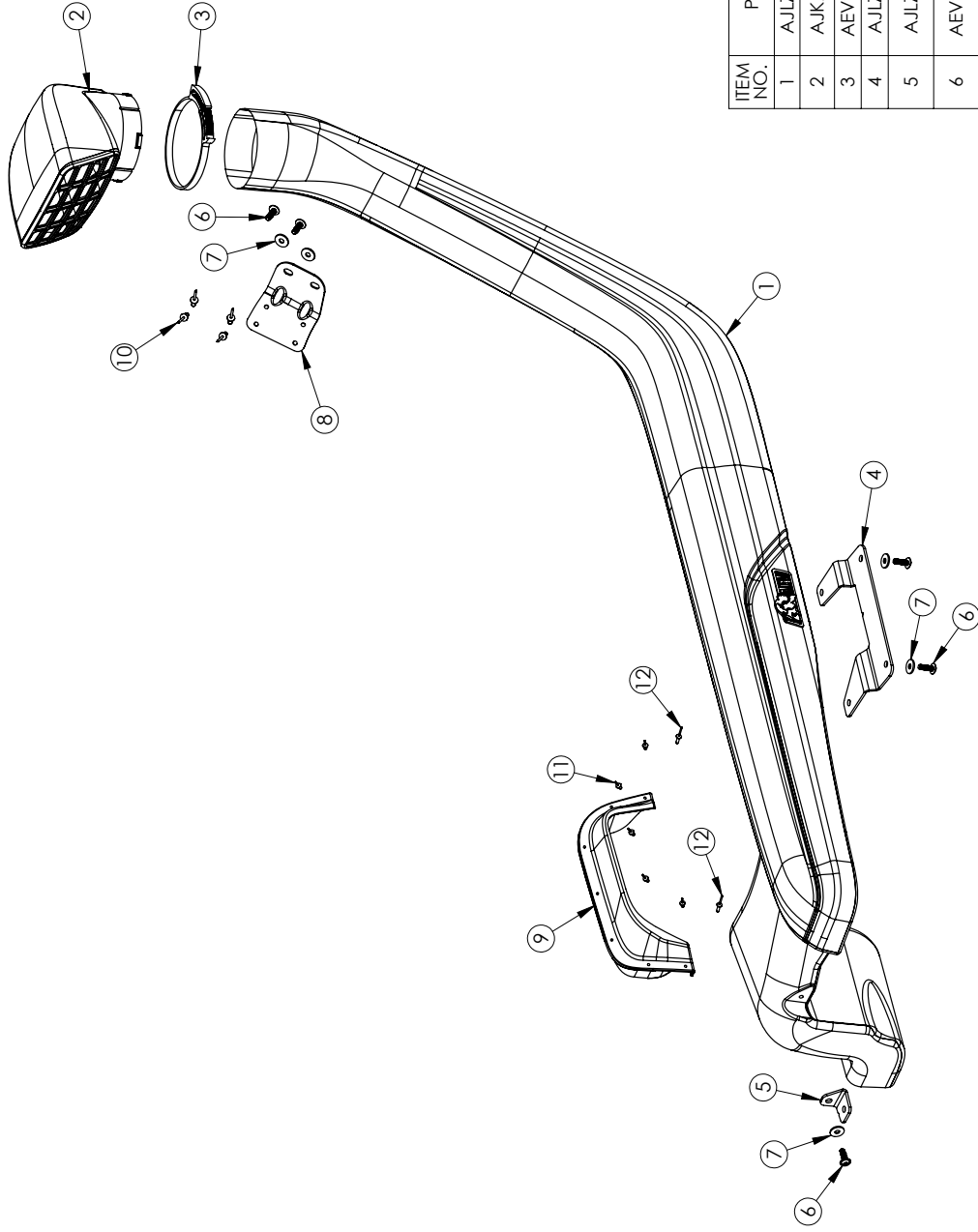




SNORKEL

2020+ JEEP WRANGLER & GLADIATOR
3.0L ECODIESEL (US ONLY)



ITEM NO.	PartNo	DESCRIPTION	QTY.
1	AJLZ2007AA	SNORKEL, JL ECODIESEL, MAIN BODY	1
2	AJKZ1018AA	AIR RAM, JK SNORKEL, 2ND GEN	1
3	AEV97026AA	CLAMP, 4" AIR RAM, PLASTIC SNAP-GRIP	1
4	AJLZ2011AA	BRACKET, JL ECODIESEL SNORKEL, FENDER	1
5	AJLZ2012AA	BRACKET, JL ECODIESEL SNORKEL, AIR BOX/FENDER	1
6	AEV91055AA	M6 X 1.0 X 20 BUTTON HEAD FLANGED CAP SCREW	5
7	AEV98027AA	M6 FLAT WASHER 18MM OD	5
8	AJLZ2004AA	BRACKET, JL SNORKEL, WINDSHIELD FRAME	1
9	AJLZ2015AA	BEZEL, JL ECODIESEL SNORKEL	1
10	AEV97023AA	Rivet, 3/16" Dia, 3/8" Grip Range	4
11	AEV97025AA	RIVET, 1/8"DIA, 1/4" GRIP RANGE	5
12	AEV97024AA	RIVET, 1/8"DIA, 3/8" GRIP RANGE	2



BEFORE YOU BEGIN THE INSTALLATION, BE SURE TO CLEAN VEHICLE THOROUGHLY, INCLUDING THE ENGINE COMPARTMENT.

I. INSTALLING HOOD BEZEL

1. It is necessary to modify the factory hood to fit the snorkel. Cut out and place the trim template provided on the last page (also available at aev-conversions.com) onto the left side of the hood (fig. 1). Place masking tape on the bottom 6" of the hood to protect the paint and provide a surface for marking the template outline. Measure 21.25" from rear edge of the hood to back edge of cutout (fig. 1).

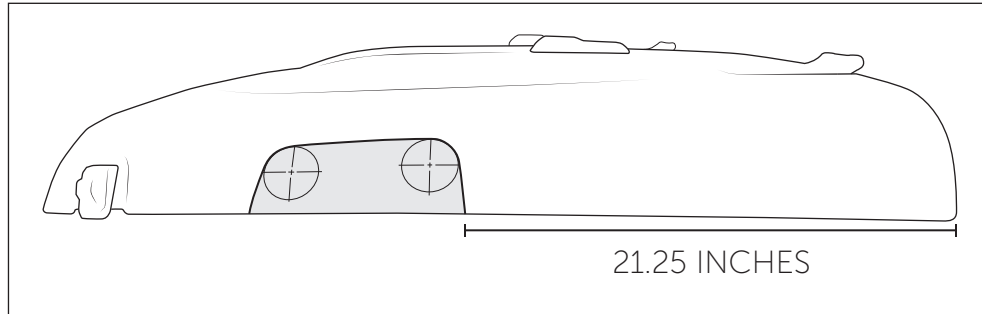


Figure 1

2. Align the dotted line of the trim template with the top tangent of the hood hem. Hold template in place and trace outline onto outer hood surface. After tracing, temporarily tape template in place on outside, open the hood, and wrap the inner portion onto inner panel. Hold the template tight to the hood contour and trace the outline, including onto the corner of the hood liner. Use heavy duty scissors to trim corner of hood liner about 1/4" past the marked line, then finish tracing the template onto the hood inner (fig. 2).

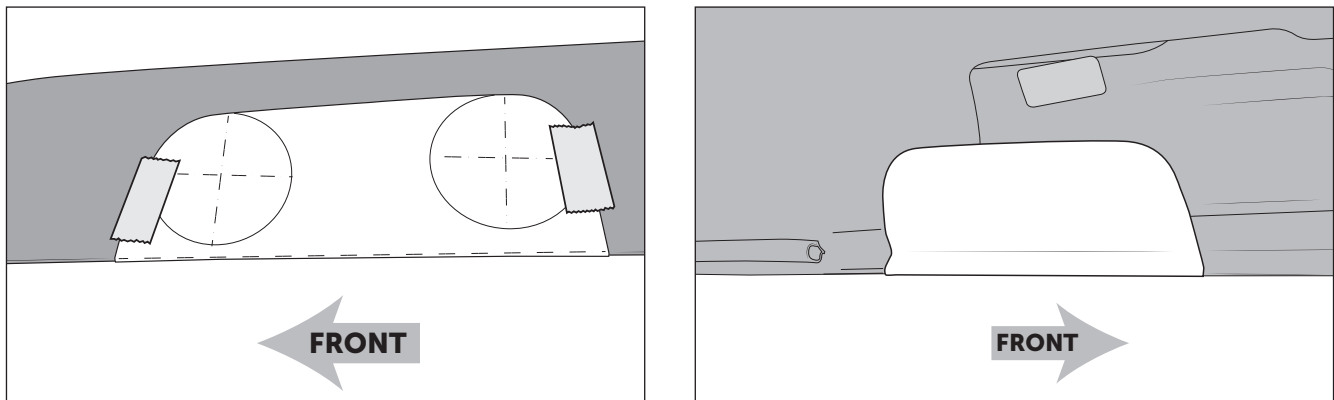


Figure 2: Outer Hood (left) Inner Hood (right)

3. Use a center punch to mark hole saw locations on template in the center of the 3" circles.



- Temporarily prop the hood up 4-6" in order to cut the hood without damaging the fender or any under hood components. Cover and protect all glass, plastic, and painted parts from sparks and metal shavings.
- Use a pilot drill to drill ONLY the outer layer of the hood first, then use the 3" hole saw to carefully cut through ONLY the outer layer (fig. 3). Cut gradually and carefully so that the hole saw doesn't grab and move off center

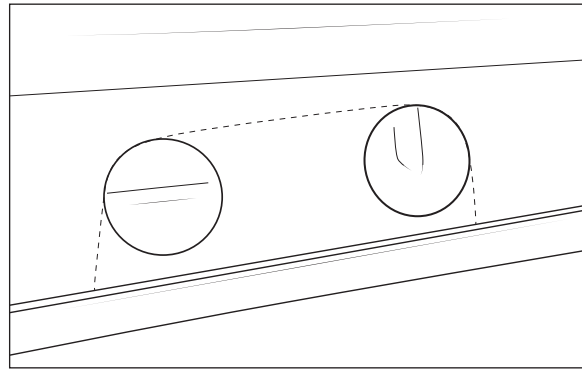


Figure 3

- Using a cutoff wheel or reciprocating body saw, cut out the rest of the opening on the outer and inner panels. We recommend cutting the opening small and using a die grinder with sanding disc to gradually open up the opening until the bezel fits. Trim to the INSIDE of the lines marked with the template
- Drill 1/8" holes square to outer surface in each dimple location on hood bezel.
NOTE: If preferred, bezel can be adhered to hood with black RTV, silicone, etc instead of rivets. Adhesion promoter may be necessary depending on adhesive to be used. Drilling holes not necessary for adhesive mounting.
- Hold bezel in place on hood and adjust to ensure there's enough material around front lower hole for rivet to stay away from the edge. Mark and drill 1/8" hole through all layers of hood in this location only. Hold hood bezel in place with one supplied 1/8" long rivet (do not pop yet). Hold bezel in position with one hand and mark the other holes with marker and/or center punch. Remove bezel and drill remaining holes. Front and rear bottom holes will go through all layers of hood, the rest only through the outer skin. Apply paint or sealant to holes to prevent rust.
- Install hood bezel using supplied 1/8" black rivets. The long rivets go in the front and rear bottom holes through multiple layers of hood, the shorter are used on the rest of the locations (fig. 4). Extra of both rivets are provided in case of any issues. Suggest installing all rivets loosely before popping them.

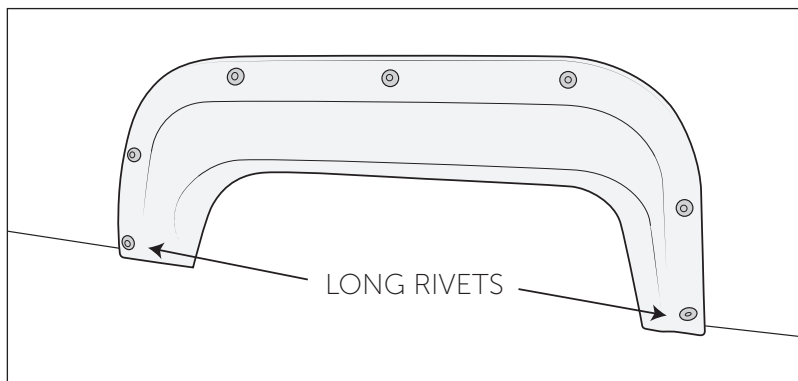


Figure 4



II. REMOVE THE FACTORY AIRBOX

1. Remove airbox

- A. Remove the sensor from the airbox lid. Unclip the plastic retainer holding rubber boot to airbox lid and pull off the rubber boot (fig. 5).

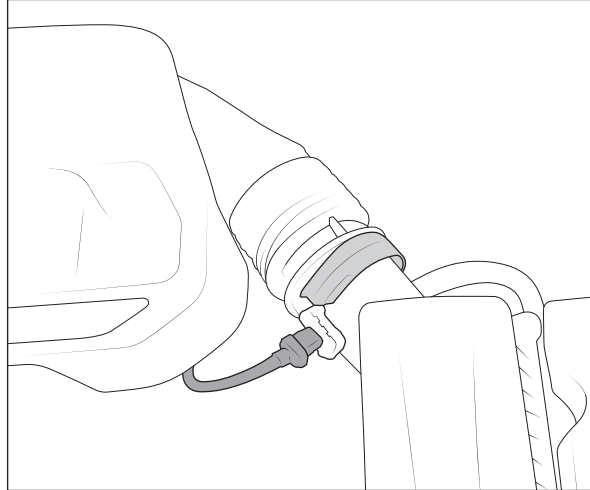


Figure 5

- B. Use M10 wrench or socket to remove the mounting bolt holding airbox inlet to fender and discard. This outboard bolt will not be reused. (fig. 6).

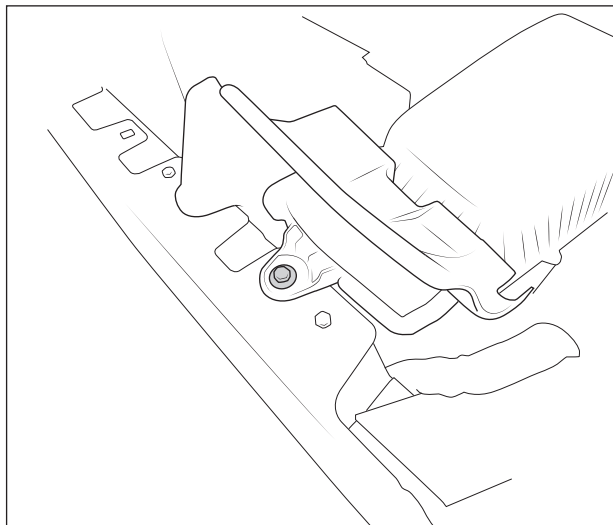


Figure 6

- C. Carefully lift airbox straight out of vehicle. There are press fit rubber bushings holding it in place, it will pop out with light force. If either of the rubber bushings comes out with the airbox, remove them from plastic studs and place back into the holes in the vehicle mount.



2. Remove the short factory inlet from the air box. After removing the retaining bolt at the top of the airbox lid, you will need to pry inward on the inlet to unclip the locking tabs from where it enters the airbox itself. Once these tabs are released the inlet will slide out.
3. Trim off the tab on the lower airbox where the bolt was previously located for the inlet mount. This is no longer used and interferes with the snorkel body (fig. 7).

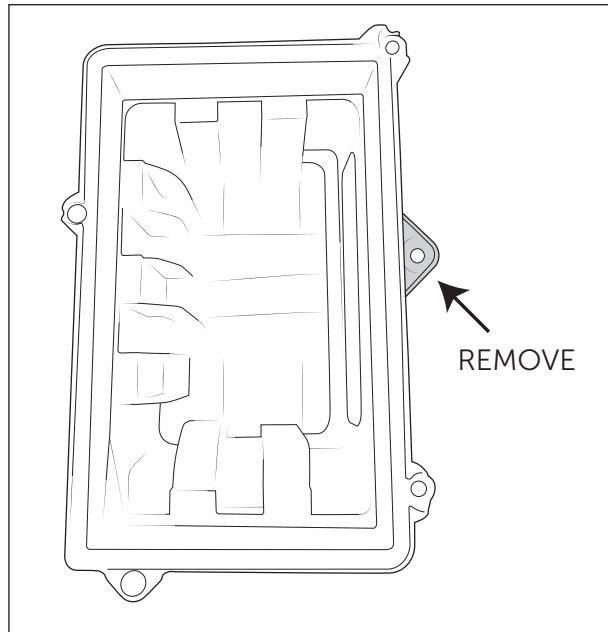


Figure 7

III. MOCK-UP THE SNORKEL ON VEHICLE

1. Install the large mounting bracket to the bottom of the snorkel using the provided M6 bolts and washers as shown (fig. 8). Make sure the bracket is straight and tighten bolts to 100 in-lb

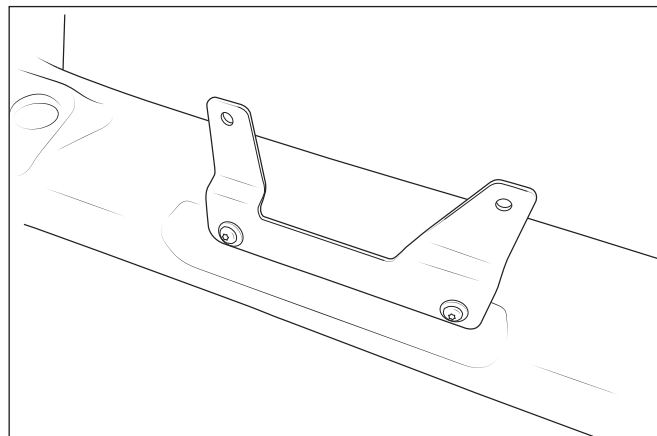


Figure 8



2. Remove the two rear and one front fender bolts (fig. 9) to prepare the vehicle for mounting the snorkel. These will all be reused.

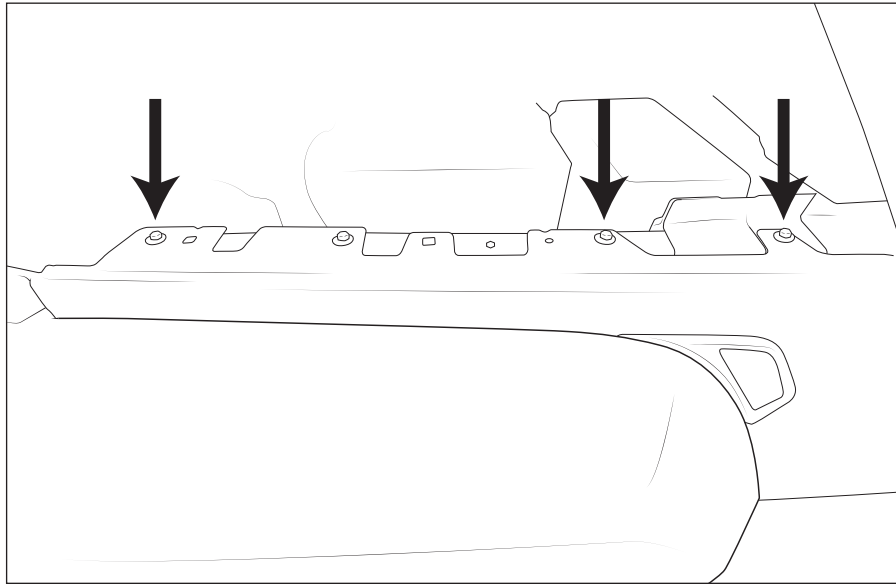


Figure 9

3. Slide intake portion of AEV snorkel into airbox body until fully seated together. It will lock into the airbox the same way as the factory inlet. RTV or silicone is not required at this joint, but can be added if desired for excessively dusty or wet conditions (fig. 10).

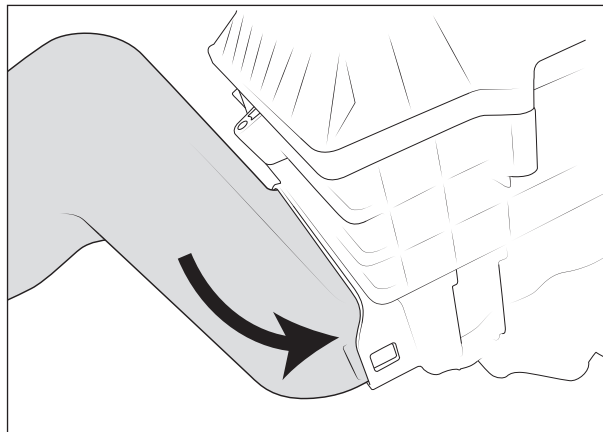


Figure 10



- Carefully lift snorkel and airbox assembly above fender and install into engine compartment. Be careful the mounting bracket does not damage the fender or paint.
- Loosely install two rear fender bolts into large snorkel bracket and tighten until just snug enough to hold snorkel body in place (fig. 11).

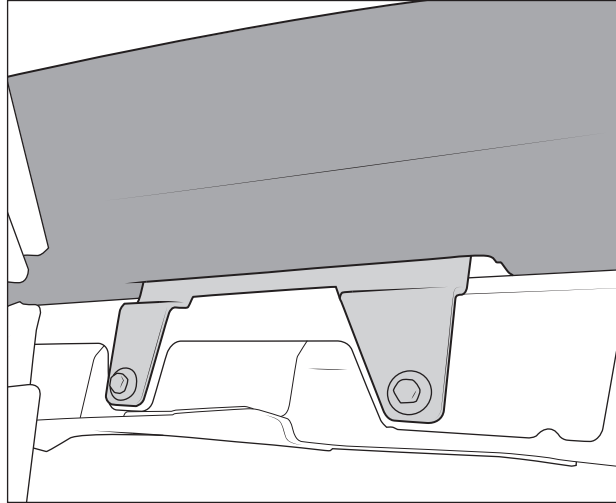


Figure 11

- Install the front mounting bracket using the front fender bolt. Place bracket over fender hole, loosely reinstall fender bolt, and bolt bracket into snorkel threaded insert with provided M6 bolt and washer (fig. 12). Tighten both until snug, but not fully torqued. Adjust lower snorkel body and brackets so that they sit evenly with fender and cowl, without excessive gaps or any paint contact. Once snorkel is properly positioned, tighten front M6 bolt going into snorkel body to **100 in-lb.**

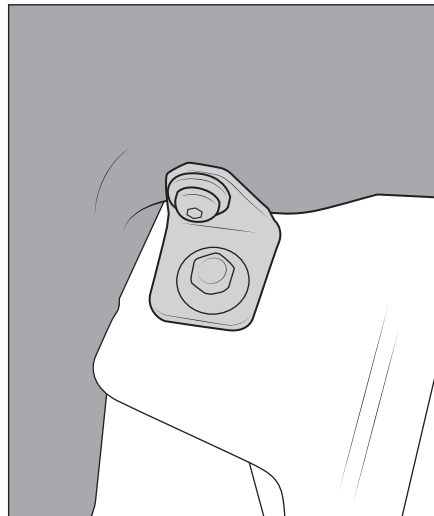


Figure 12

