



CAMERA RELOCATION

FOR AEV RAM FRONT BUMPER

PLEASE READ ENTIRELY BEFORE YOU START

To guarantee a quality installation, we recommend reading these instructions thoroughly before beginning any work. These instructions assume a certain amount of mechanical ability and are not written nor intended for someone not familiar with auto repair.

NOTE: It is strongly recommended to install this snorkel system before the AEV front bumper. If you already have the AEV Front bumper installed, it will require unbolting the bumper from the truck to allow for disassembly.

INCLUDED PARTS

- Camera Relocation Bracket
- Camera Relocation Spacer
- AEV Front Bumper Badge - Camera Option
- Camera Harness
- Hardware Pack



I. DISASSEMBLY

1. Remove the radiator cover by removing the 14 push clips (fig. 1).

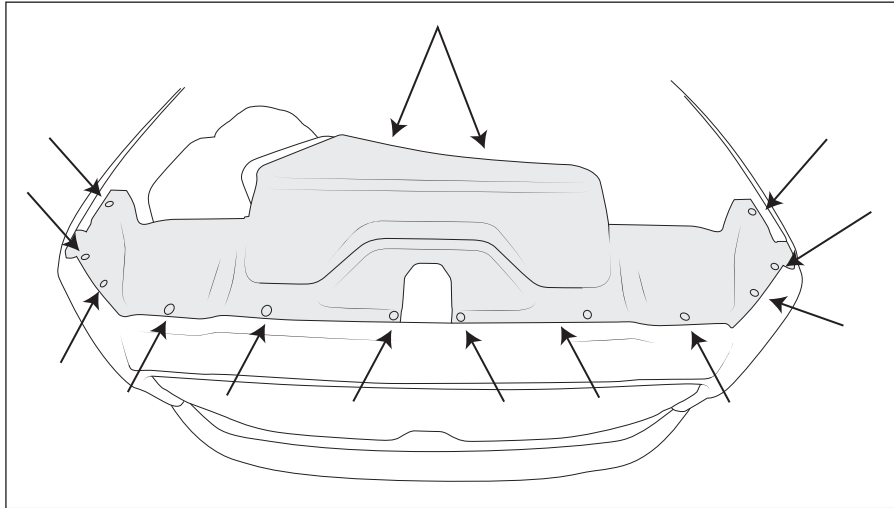


Figure 1

2. Remove the upper grille trim by removing the 10 bolts (fig. 2).

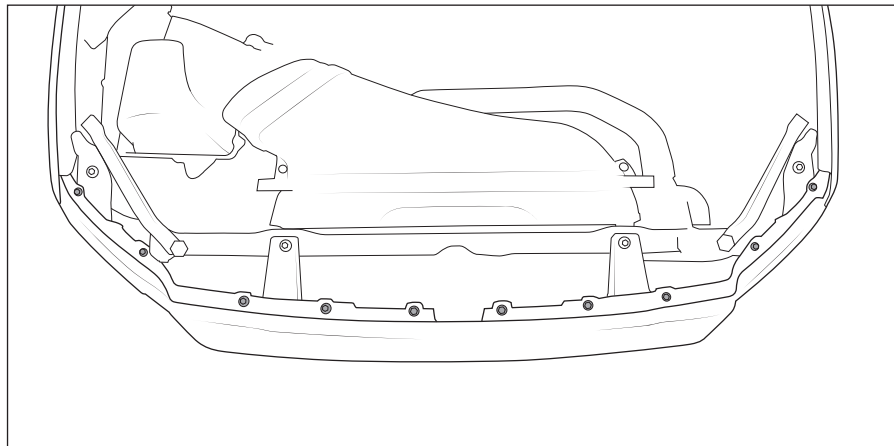


Figure 2



3. Remove lower grille trim.

- A. The trim pieces beneath the headlamps are removed using a pry tool, being careful not to damage paint.
- B. The center section has 7 bolts securing it to the grille (these will need to be loosened from below the vehicle but not fully removed) from underneath the vehicle, and 2 bolts below each headlamp (these need to be fully removed)(fig. 3).

NOTE: If you already have an AEV Bumper installed, it will be required to unbolt the bumper assembly and slide it forward to allow for this trim piece to be removed.

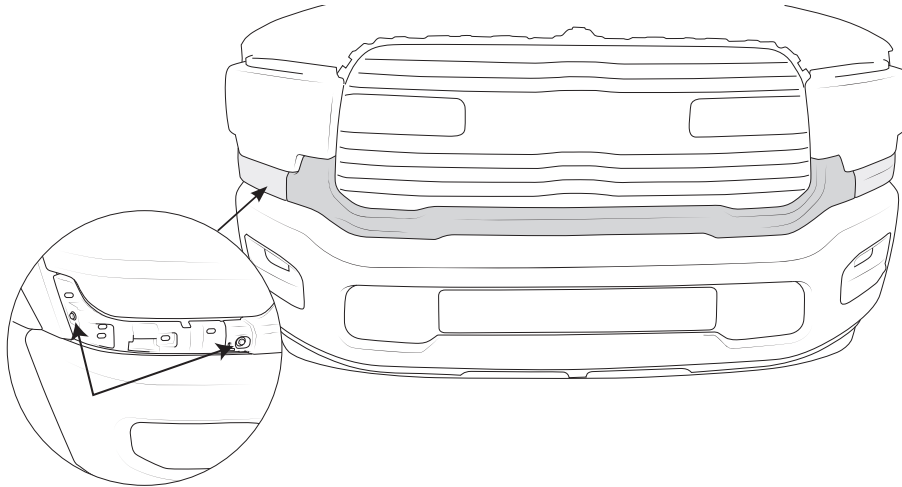


Figure 3

4. Unplug the camera harness and remove the christmas tree securing the harness to the vehicle (fig. 4)

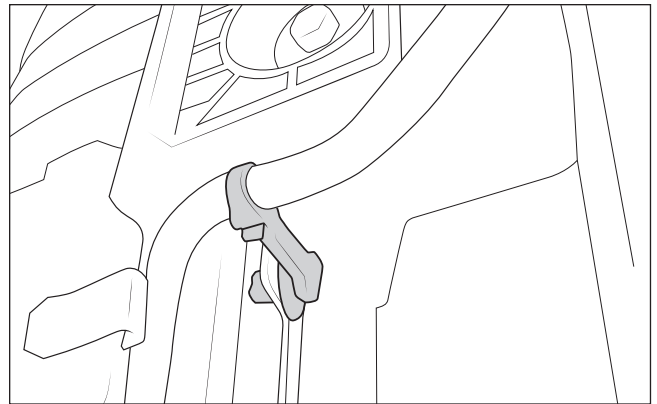
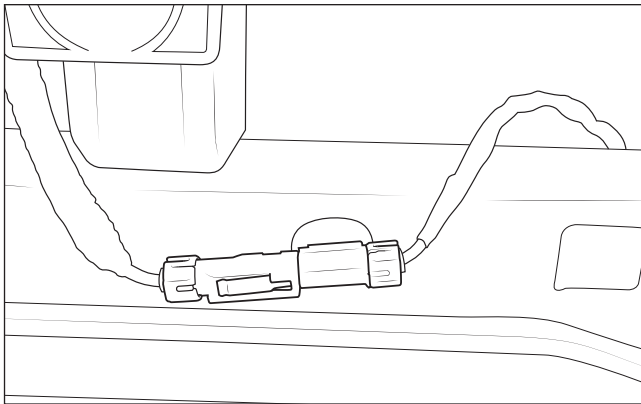


Figure 4



5. Remove the grill making note that the longest screws belong with the inner most lower holes.
6. Remove the factory harness from the back side of the grill by removing the christmas trees and the two T-8/10 screws holding the camera mount to the grill.
7. Remove the camera from the outer housing. Outer housing and factory harness can be discarded (fig. 5)

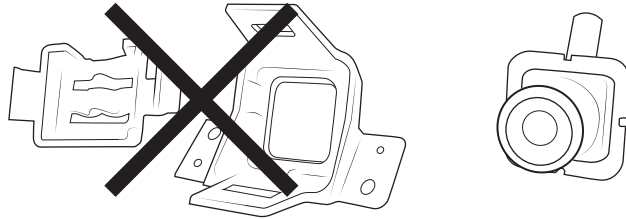


Figure 5 .

II. INSTALLATION INTO AEV FRONT BUMPER

1. Install the camera onto the metal bracket with the spacer over the camera as shown (fig. 6)

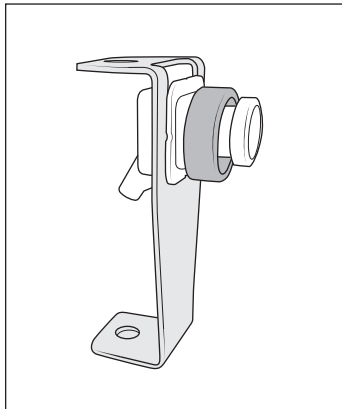


Figure 6

2. Secure the bracket into the front bumper using supplied xx screws (fig. 7). Insert through the access holes in the front of the bumper.

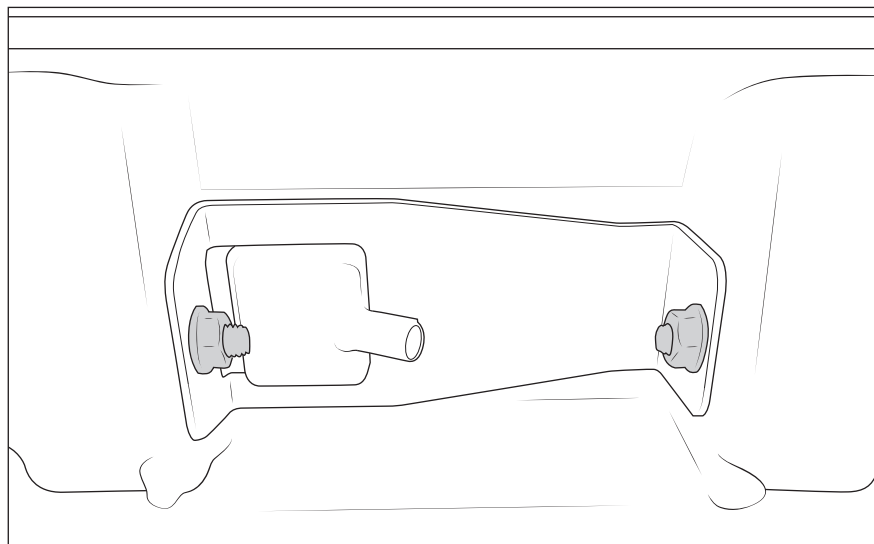


Figure 7



3. Install AEV supplied wiring harness down the center of the grill, secured in locations shown (fig. 8).

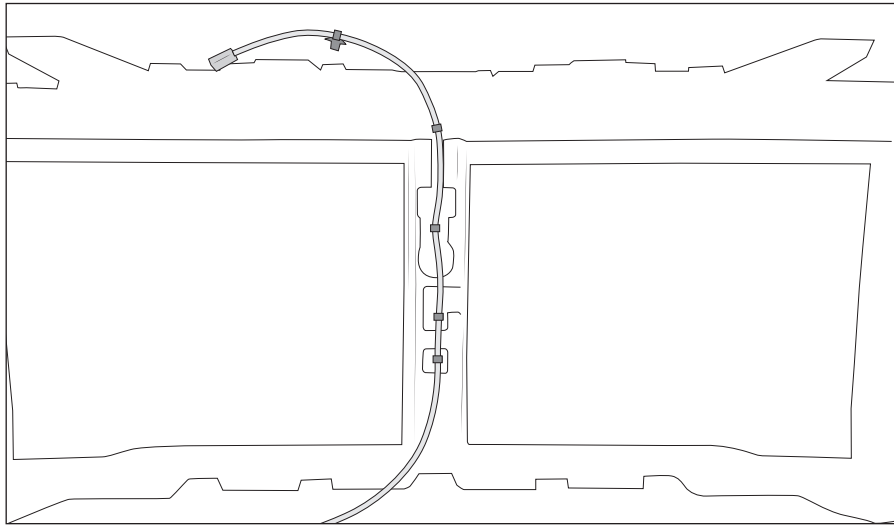


Figure 8

4. Reinstall Grill and Trim components onto the vehicle. Feed the camera wiring harness to the passenger side of the vehicle for installation into the AEV Front bumper.
5. Continue with the Front Bumper installation. Just before mounting the center section to the vehicle, route the camera harness through the front bumper as shown (fig. 9) and plug into the camera.

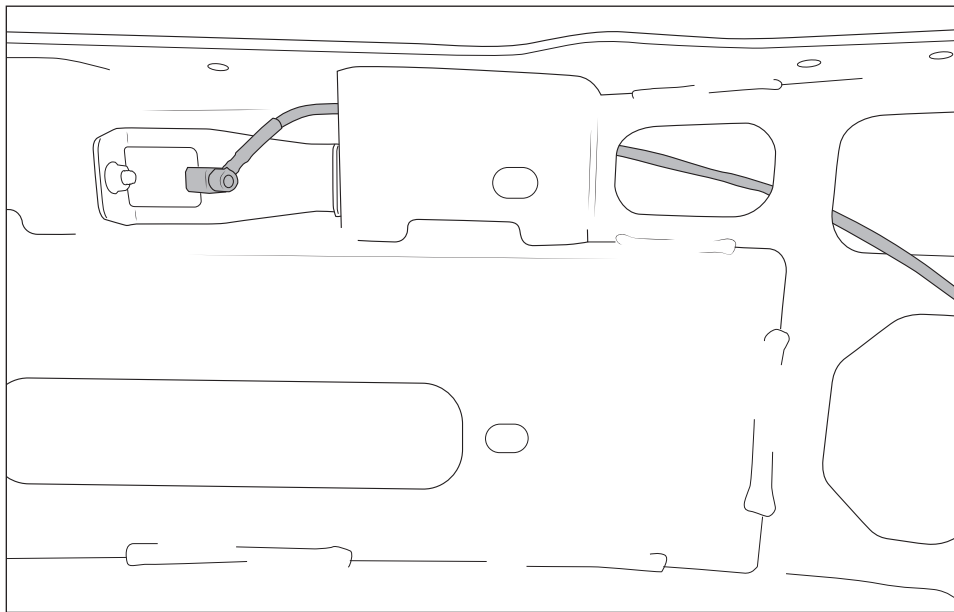


Figure 9