



XP8100 SHOCKS

2013+ RAM HEAVY DUTY

AEV30449AA

Last Updated: 01/27/22

INSTALLATION GUIDE



PLEASE READ BEFORE YOU START

To guarantee a quality installation, we recommend reading these instructions thoroughly before beginning any work. These instructions assume a certain amount of mechanical ability and are not written nor intended for someone not familiar with auto repair.

NOTE: If installing with existing suspension system, make sure to support axles when removing existing shocks. Shocks can be retrofit with vehicle sitting on the ground, but it will be necessary to compress the shocks for installation at ride height, which is very difficult, especially while aligning bolt holes. Recommend using jack stands or a hoist in order to install at full extension.

If installing along with full suspension system, following suspension kit instructions and supplement with this shock installation guide.

INCLUDED PARTS	QTY	REQUIRED TOOLS
RAM 2500 DIESEL		Common Hand Tools
Front Shock (P-25-313536)	2	Torque Wrench
Rear Shock (P-25-313550)	2	Marking Pen
Mounting Kit (10309000AA)	1	Drill with 3/8" Drill Bit
RAM 2500 GAS		
Front Shock (P-25-316506)	2	
Rear Shock (P-25-313550)	2	
Mounting Kit (10309000AA)	1	
RAM 3500 DIESEL		
Front Shock (P-25-313536)	2	
Rear Shock (P-25-315134)	2	
Mounting Kit (10309000AA)	1	
RAM 3500 GAS		
Front Shock (P-25-316506)	2	
Rear Shock (P-25-315134)	2	
Mounting Kit (10309000AA)	1	



I. INSTALL FRONT SHOCKS AND RESERVOIR BRACKETS

1. Install upper shock bushing to frame. Starting on either side, install upper mount using provided hardware. Shocks are not sided, so either front shock can be mounted on either side of vehicle. Larger hole cupped washer and conical bushing go on shock shaft in orientation shown, then shaft gets placed through the frame bracket, then the other bushing and cupped washer go in place before installing the nut (fig. 1).

Reservoir fitting should point straight outward (fig. 2). Reservoir can hang from the hose, be careful not to hit it on anything and damage the finish. An old sock or rag can be helpful to protect it during shock installation. Torque top nut to 40 ft-lb.

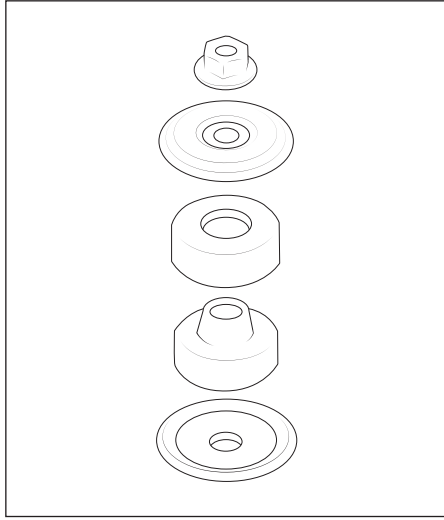


Figure 1

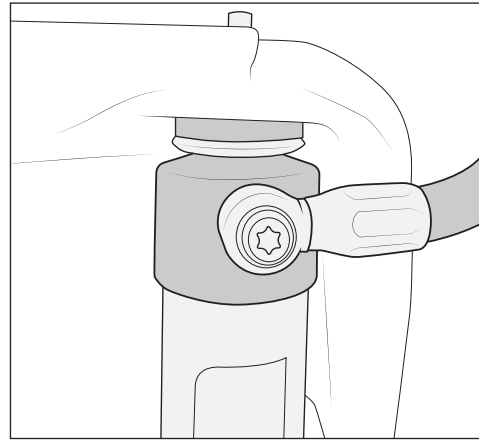


Figure 2

2. Install lower shock bushing to axle. Shock bushing has offset end to clear radius arm hardware, bushing must be oriented to be offset inboard as shown (fig. 3). Once in correct orientation, place washer on provided M14x120mm bolt and feed through the shock bushing from the rear. Bushing does NOT go between the mounting brackets like factory orientation. Put provided crush sleeve in factory bushing location, place shock bushing against back face of rear bracket, and feed the bolt through the rear bracket, crush sleeve, and front bracket. Install provided M14 flange nut to the front and torque hardware to 100 ft-lb. (fig. 4).

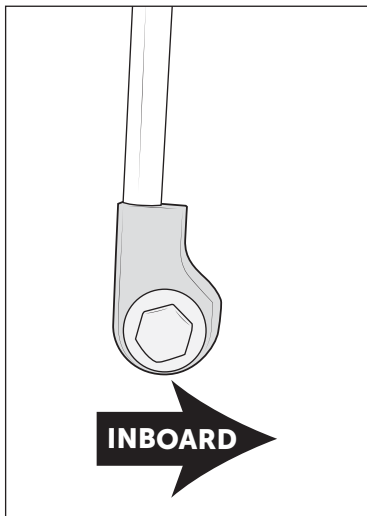


Figure 3

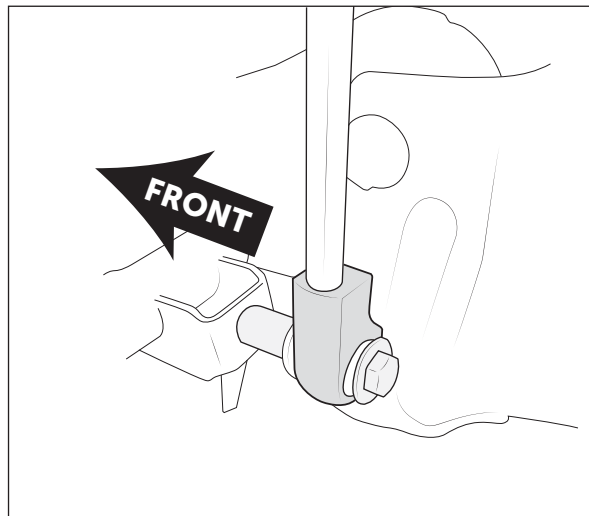


Figure 4



3. Install reservoir bracket. These are sided, the tabs should point inward toward center of vehicle and the longer leg of the mount toward the rear. Place it on spring tower so that the flanges sit on top of the tower edge and the mounting tabs are centered between welded gussets (fig. 5). **NOTE:** some vehicles with excessive welding will need weld ground flush for bracket to sit flush.

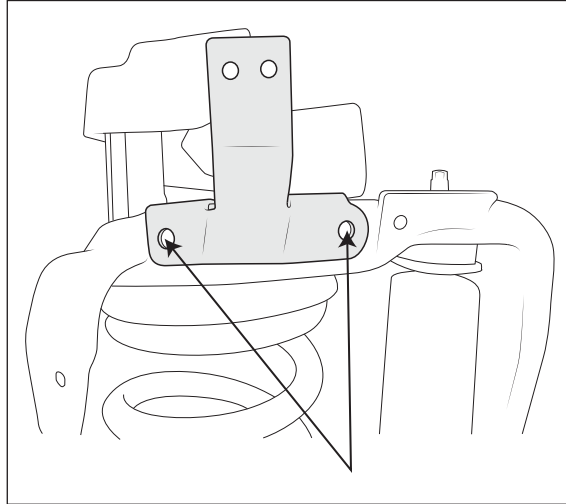


Figure 5

4. Mark the hole locations with a sharpie or paint pen. Remove the bracket and drill 3/8" holes at each location, being careful not to go too far and damage wheel liner or components behind it. Deburr the holes and apply paint or rust preventative to exposed steel.
5. Bolt the reservoir clamp to the AEV mounting bracket with clamp bolt head pointed downward. Bolt in place using top set of holes in clamp and tighten bolts to 30 ft-lb. (fig. 6)

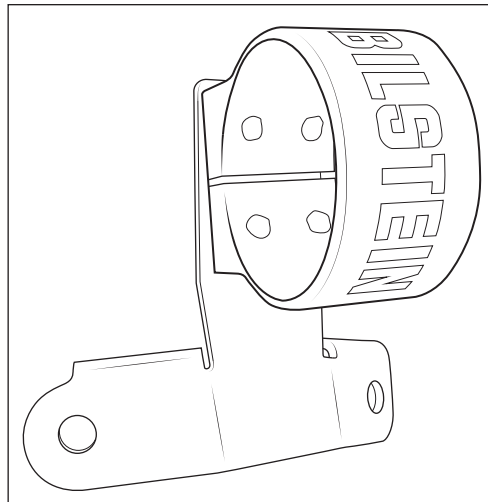


Figure 6



6. Hold reservoir mount in vehicle orientation (not vehicle position, there's not enough room to slide reservoir in place in vehicle position) and carefully slide reservoir into clamp, being careful not to damage paint on reservoir. Reservoir hose should point rearward from shock body, then loop up and forward to reach reservoir. Hose fitting on the reservoir should point inward toward center of vehicle and be at the rear of the reservoir when installed (fig. 7) Temporarily snug clamp bolt to prevent reservoir movement.
7. Install reservoir mount into previously drilled holes using provided M8x25mm button head bolts, washers, and nuts (fig. 7). Torque hardware to 30 ft-lb. Reservoir clamp can then be loosened to fine tune reservoir position and clocking. It should be roughly centered in the clamp with the hose fitting pointed straight inward toward center of vehicle. Reservoir can be clocked as needed to keep hose tight to wheel liner, but it should not make contact. Tighten the clamping bolt until snug, excessive force is not needed to hold the reservoir in place.

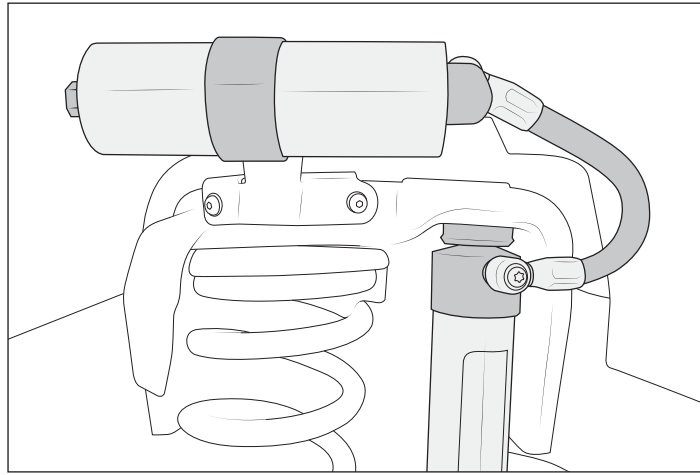


Figure 7



II. INSTALL REAR SHOCKS

A. 2500 Models: Rear shocks install with body down.

1. Install provided bushing components onto shock rod (fig. 8). Cupped washer goes onto shaft, then metal sleeve, then conical bushing go on shock shaft in orientation shown, then shaft gets placed through the frame and frame mount, then the other bushing and cupped washer go in place before installing the nut. Torque top nut to 40 ft-lb.

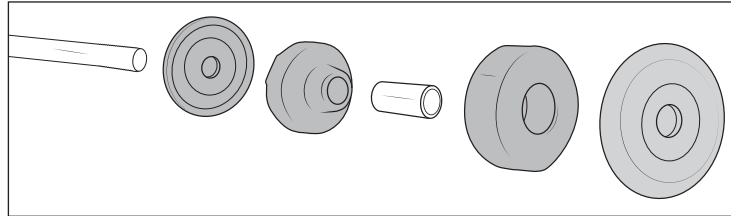


Figure 8

2. Install lower bushing to axle bracket. Reservoir should point toward axle tube (fig. 9). Reinstall factory shock bolt and torque to 89 ft-lb.

NOTE: Thick washers from hardware kit will not be used, these are only for 3500 model.

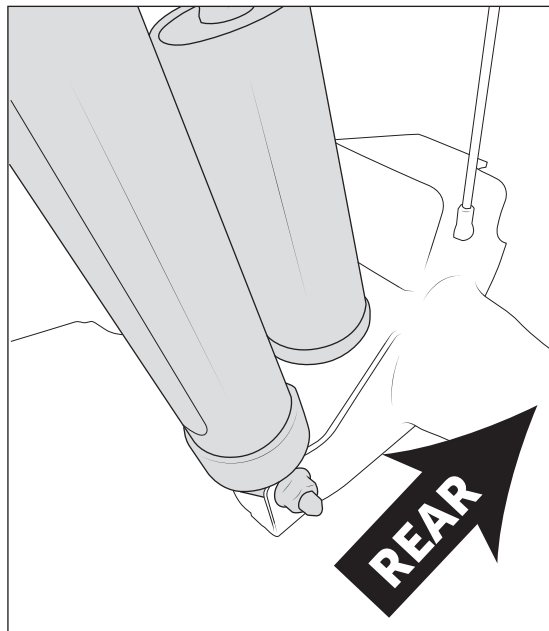


Figure 9



B. 3500 Models: Rear shocks install with body up.

1. Install provided 3/16" thick washers onto upper shock mounting stud. This will prevent the shock body from making contact with the frame. Install shock onto stud with body up and reservoir pointed forward toward front of vehicle (fig. 10). Reinstall factory nut and torque to 111 ft-lb.
2. Install lower bushing to axle bracket using factory hardware and torque to 111 ft-lb

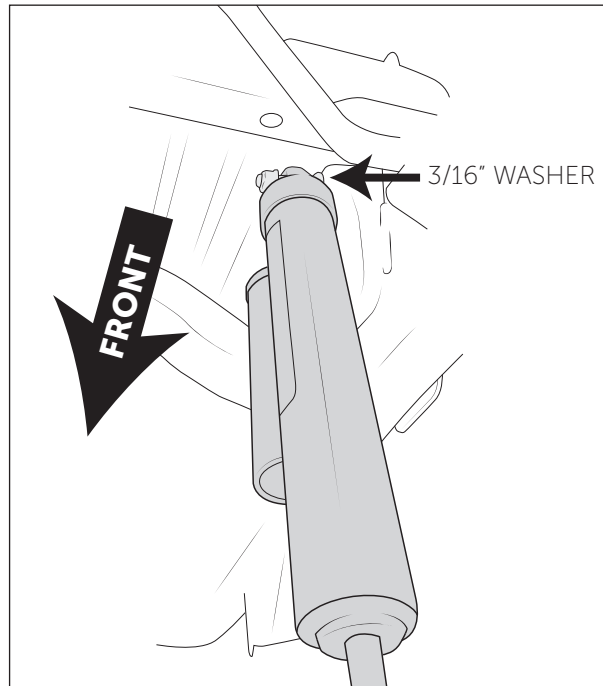


Figure 10