



3" UNIVERSAL TUBE MOUNT

PLEASE READ ENTIRELY BEFORE YOU START

To guarantee a quality installation, we recommend reading these instructions thoroughly before beginning any work. These instructions assume a certain amount of mechanical ability and are not written nor intended for someone not familiar with auto repair.

REQUIRED TOOLS

Common Hand Tools

AEV30434AA

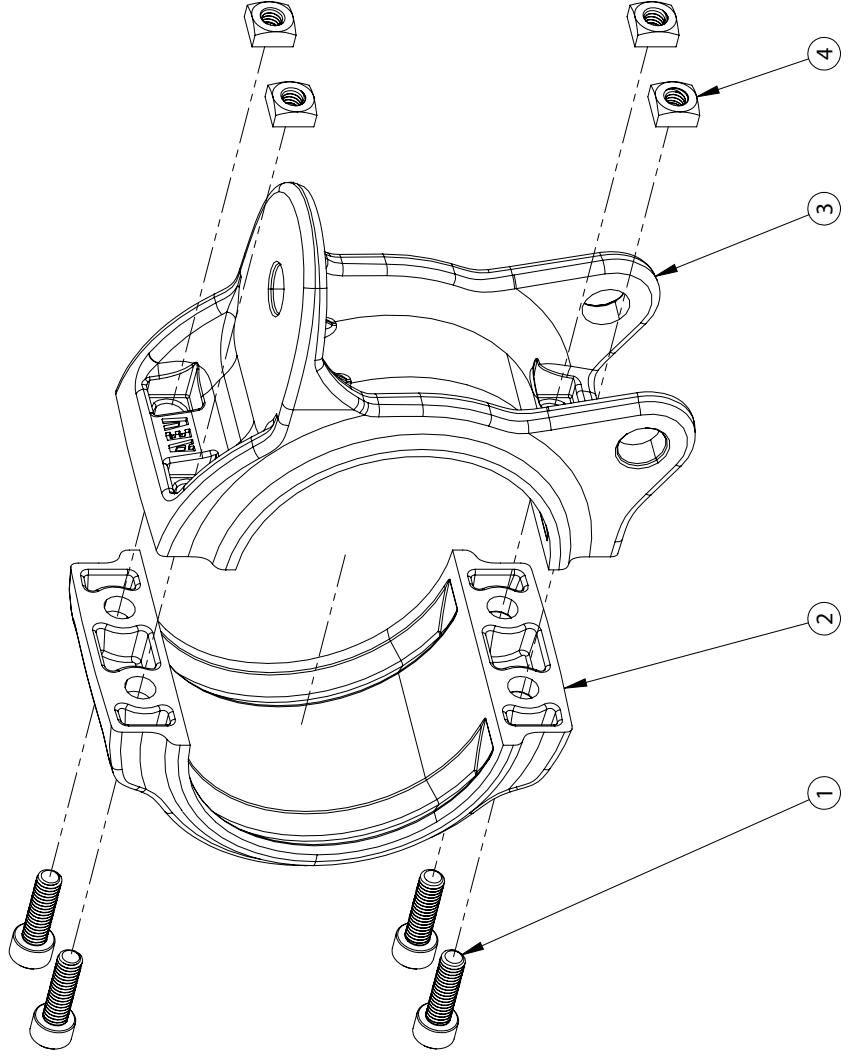
Last Updated: 11/18/20

INSTALLATION GUIDE



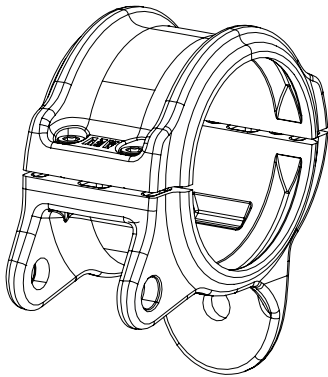
3" UNIVERSAL TUBE MOUNT

ITEM NO.	PARTNO	DESCRIPTION	QTY
1	AEV91157AA	M6 X 1.0 X 20 SOCKET HEAD SCREW	4
2	ACPR1050AA	CLAMP, 3" TUBE, SIDE B	1
3	ACPR1051AA	CLAMP, 3" TUBE, SIDE A	1
4	AEV93034AA	M6 X 1.0 SQUARE NUT	4

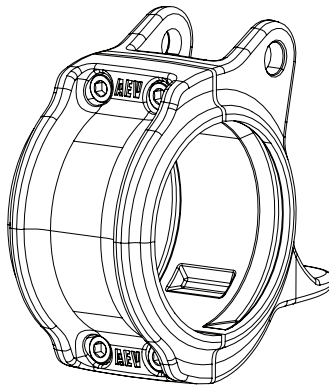




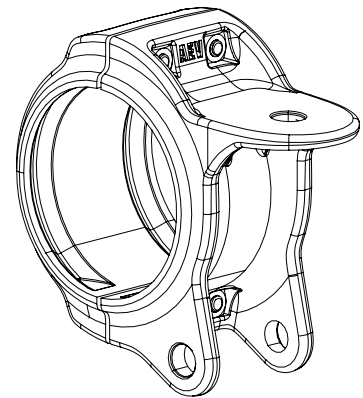
1. Confirm your vehicle has a 3" tube for mounting.
2. Remove all four bolts from Light clamp assembly.
3. Place clamp around tube so that it is horizontal to the vehicle.
4. Insert in all four square nuts into the body of the clamp.
5. Thread in four M6 x 1.0 bolts.
6. Rotate clamp to its final position.
 - A. This position will be dependent on which light you are using and aiming
 - B. Skip to step 8 if installing AEV Lights.
7. Tighten four M6 x 20mm bolts to 7 lb ft.
8. We recommend removing the lower bracket from the AEV universal Light and bolting the light directly to the light clamp
 - A. Remove the M10 x 60mm bolt. NOTE: For installation on an AEV Ram Bumper Low Tube, we recommend the AEV Reinforcement Bracket (PN: 11060209)
 - B. Discard the lower bracket.
 - C. Re-install QTY 1 M10 x 60mm Bolt into new Light Clamp Torque to 42 lb ft.



AEV 7000 SERIES LIGHT
BOTTOM MOUNT ORIENTATION



AEV 7000 SERIES LIGHT
TOP MOUNT ORIENTATION



UNIVERSAL MOUNT ORIENTATION