



AUXILIARY LIGHT BRACKETS

FOR RAM REAR BUMPER

PLEASE READ BEFORE YOU START

To guarantee a quality installation, we recommend reading these instructions thoroughly before beginning any work. These instructions assume a certain amount of mechanical ability and are not written nor intended for someone not familiar with auto repair.

INCLUDED PARTS	QTY	REQUIRED TOOLS
Auxiliary Light Brackets	2	Common Hand Tools
M6x20 Hex Head Bolt	4	
M6 Washer	4	

THIS BRACKET IS DESIGNED FOR USE WITH THE FOLLOWING LIGHTS:

Baja Design SKU 550006

Rigid Dually 20211 SKU: 20121EM

Vision X Item XIL-OP110 SKU: 9123882

AEV30433AA

Last Updated: 09/22/20

INSTALLATION GUIDE



INSTALLATION

These instructions assume you have the AEV Ram Rear Bumper installed on the vehicle. If you have not yet installed the bumper, follow the steps in the Rear Bumper Installation Guide instead.

1. Remove Rear Bumper Corner Tanks.
 - A. Remove the six M8x16 hex head bolts and washers holding the plastic corner tank to the bumper assembly.
 - B. Remove plastic corner tank, being careful to disconnect the park assist sensors (if equipped).
 - C. Remove the four small push pins securing the block off plate if equipped.
2. Using two M6x20 hex head bolts, and two M6 washers, loosely install the AEV Rear Aux Mount Bracket onto the bumper center section on both sides (fig. 1).

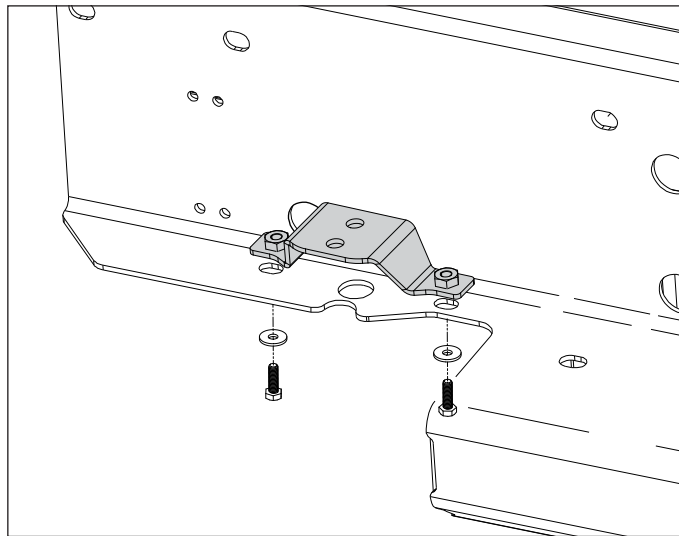


Figure 1

3. Install your auxiliary light onto the AEV bracket using hardware supplied by the light manufacturer.
 - A. Two mounting locations are provided, use the location that works best for positioning the light closest to the bumper corner tank.
 - B. Aiming can be done after the corner tank is installed, but it will be easier with the tank uninstalled. Small adjustments can be made after installation is complete.
4. Torque the M6 nuts to 7 lb-ft.



5. The AEV bumper center section includes holes behind the mounting brackets for routing auxiliary light wires to the backside of the bumper.
6. Reinstall corner tank over the auxiliary light. Secure using the six M8x16 hex head bolts and washers supplied in the AEV Rear Bumper hardware pack.
7. We recommend following the below (Fig. 2) sequence when securing the corner tanks.
NOTE: The tailgate will need to be removed to access bolt location 3 shown below.

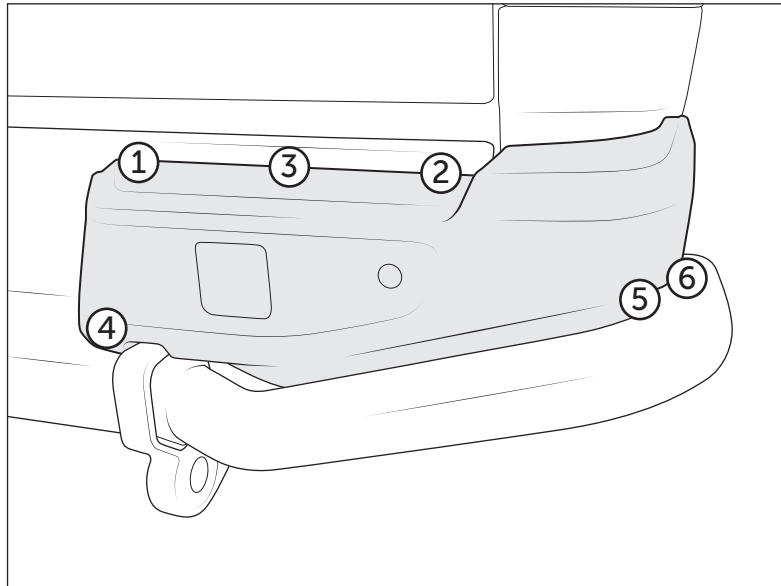


Figure 2