



DIESEL EXHAUST KIT

FOR RAM HEAVY DUTY



PLEASE READ BEFORE YOU START

To guarantee a quality installation, we recommend reading these instructions thoroughly before beginning any work. These instructions assume a certain amount of mechanical ability and are not written nor intended for someone not familiar with auto repair.

PLEASE NOTE: This kit is intended to be installed on vehicles equipped with the AEV Rear Bumper.

| INCLUDED PARTS | QTY | REQUIRED TOOLS |
|--------------------|-----|-------------------|
| Diesel Exhaust Tip | 1 | Common Hand Tools |
| Exhaust Clamp | 1 | Saw |

INSTALLATION

1. Mark a cut line roughly 4" forward of the bend shown (Fig 1).

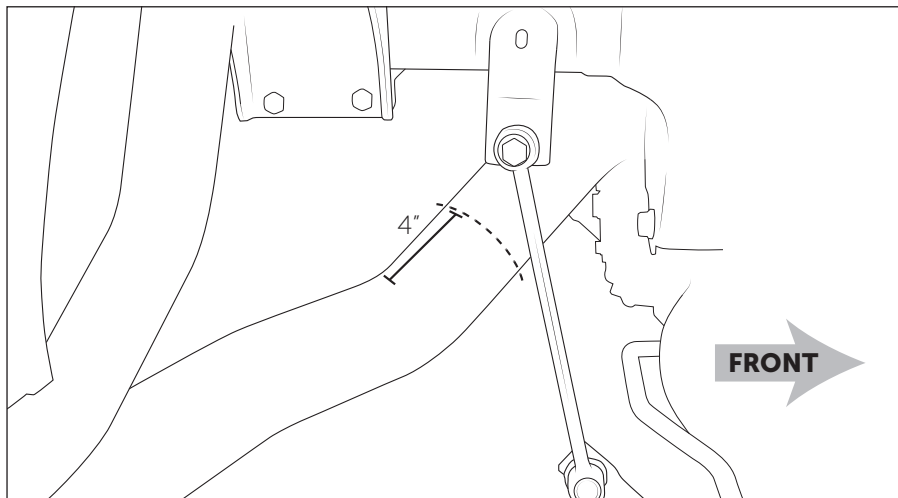


Figure 1

2. Cut the factory exhaust at the cut line and file smooth any burrs.



3. Install the AEV exhaust tip and clamp over the factory part as shown (fig. 2).

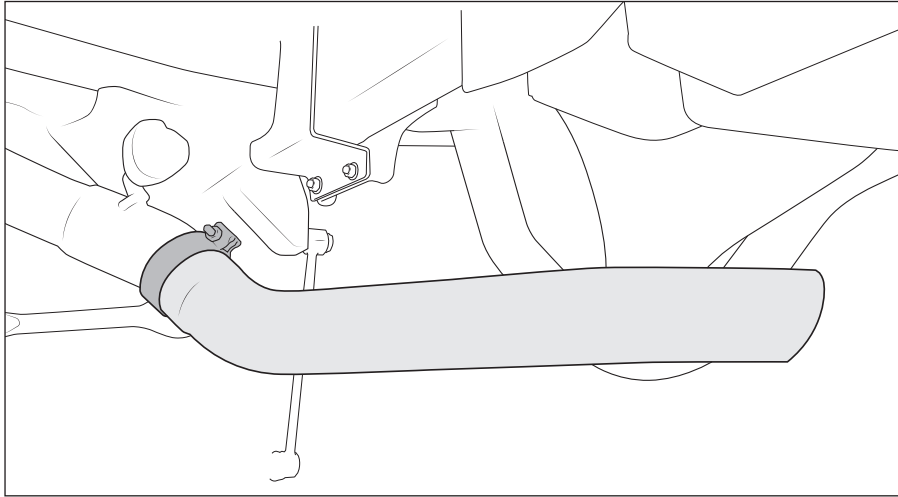


Figure 2

4. Adjust the AEV exhaust tip so that there is roughly 1.5" of clearance from the Rear Bumper corner assembly (fig. 3) then tighten the clamp.

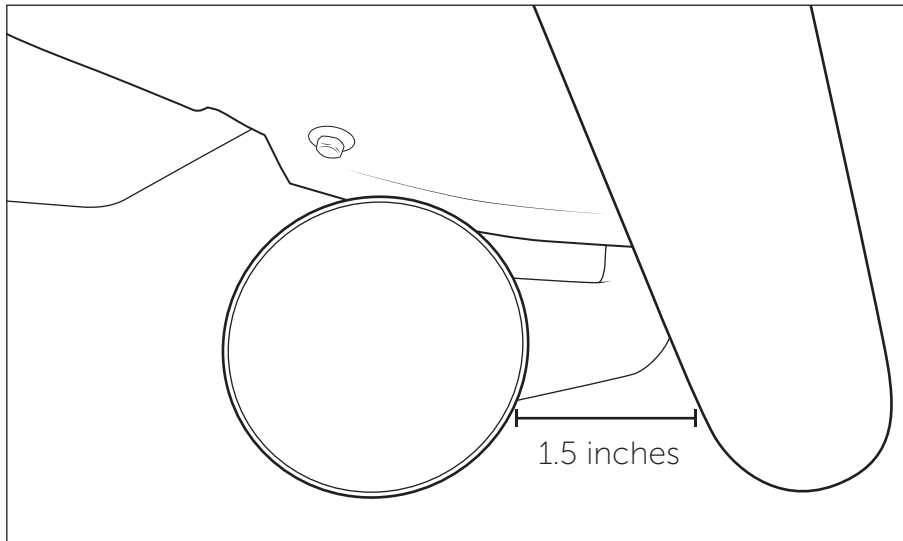


Figure 3