



SPLASH GUARDS

FOR CHEVY COLORADO
HIGHMARK FLARES



INSTALLATION GUIDE

AEV30403AA

Last Updated: 04/07/20



PLEASE READ BEFORE YOU START

To guarantee a quality installation, we recommend reading these instructions thoroughly before beginning any work. These instructions assume a certain amount of mechanical ability and are not written nor intended for someone not familiar with auto repair.

INCLUDED PARTS	QTY	REQUIRED TOOLS
Front Splash Guard	2	Common Hand Tools
Rear Splash Guard	2	
Hardware Pack	1	



FRONT SPLASH GUARD INSTALLATION

1. Remove two M6 bolts at the bottom of the fender flare (fig. 1).
2. Install two U-nuts into flares (fig. 2).

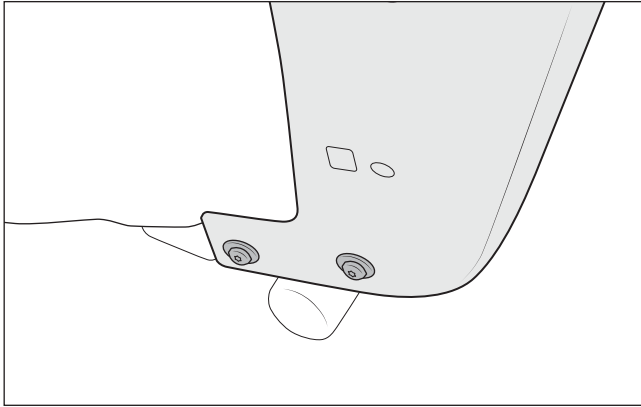


Figure 1

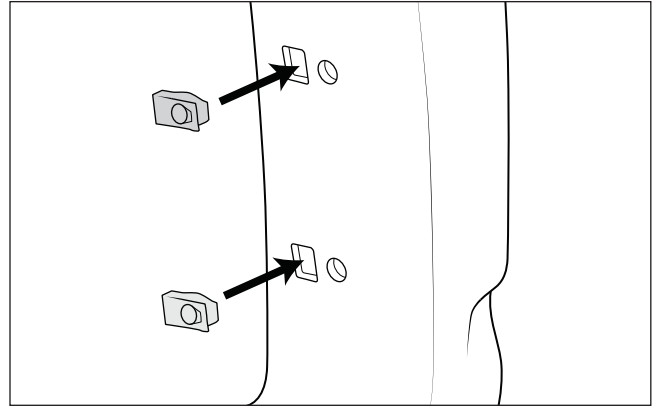


Figure 2

3. Start all four M6 Torx bolts through Splash Guards into flares (fig. 3).

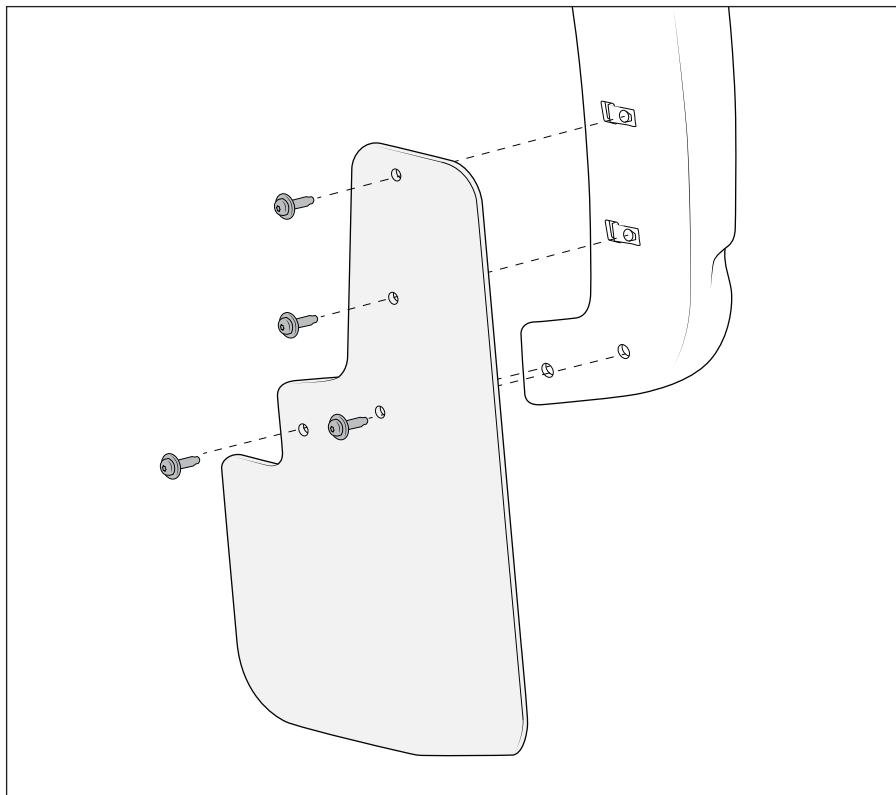


Figure 3

4. Tighten all bolts.



REAR SPLASH GUARD INSTALLATION

1. Remove factory Torx bolt and push in nut from body (fig. 4).
2. Install four U-nuts into flares (fig. 5).

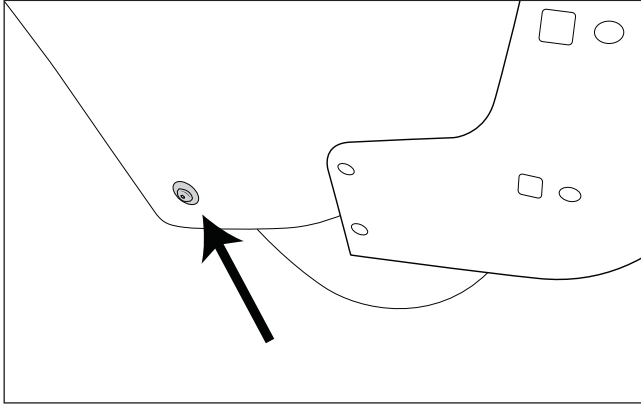


Figure 4

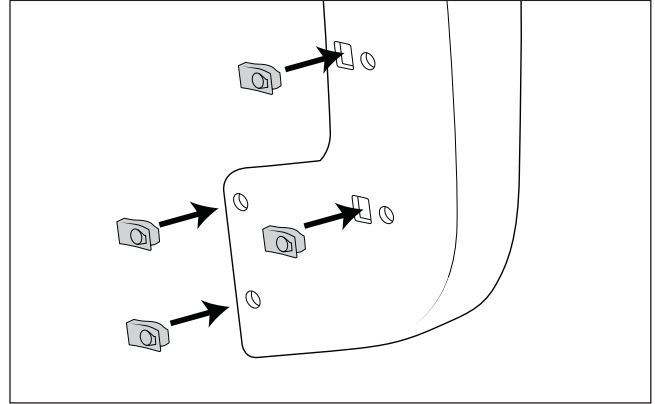


Figure 5

3. Install Splash Guards with four bolts into U-nuts (fig. 6).

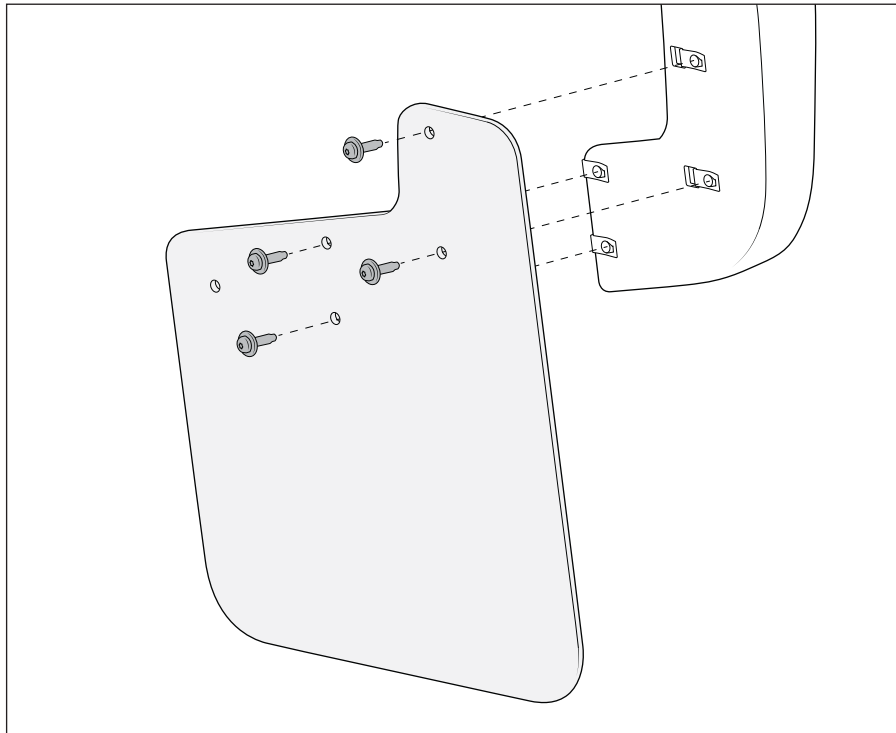


Figure 6

4. Install last bolt with nut thru hole in body from step 2 above.