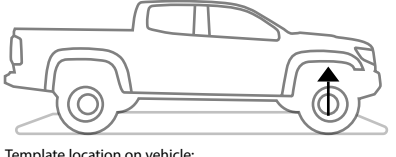


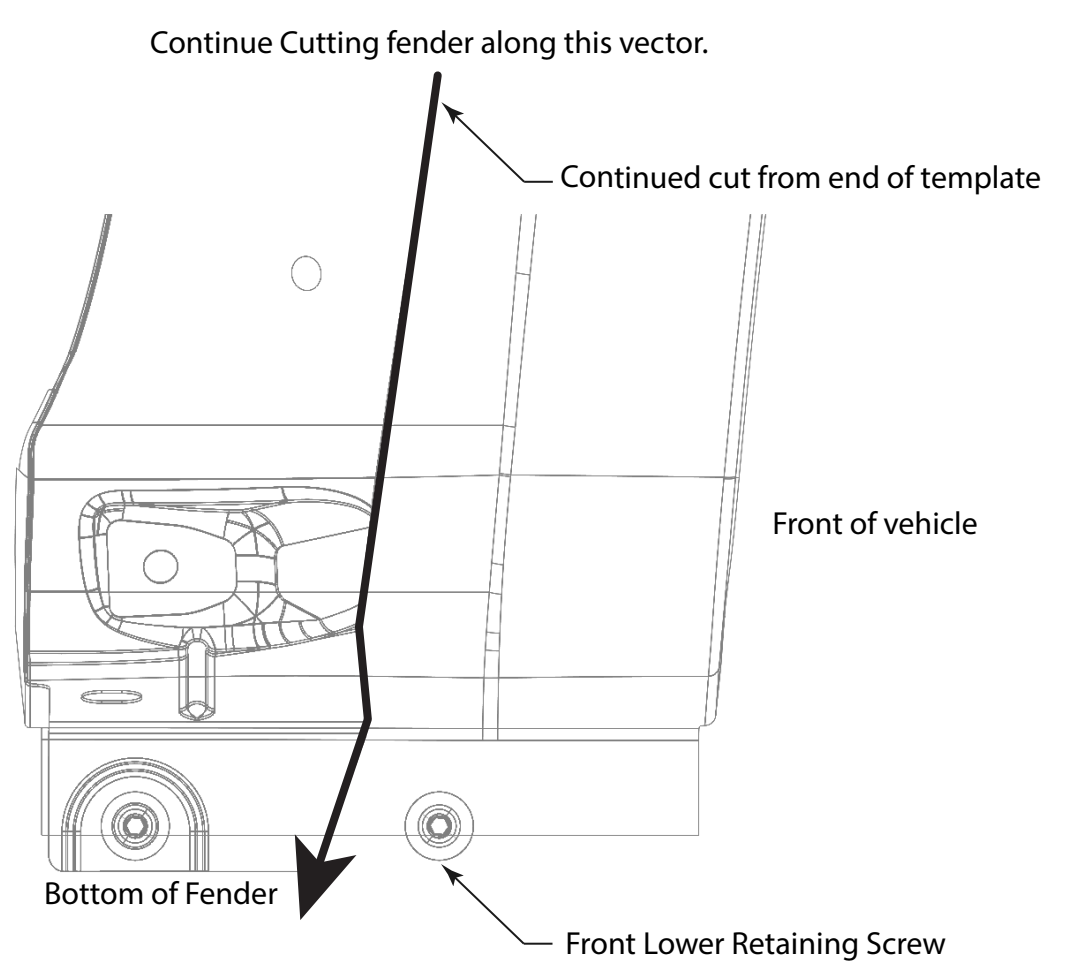
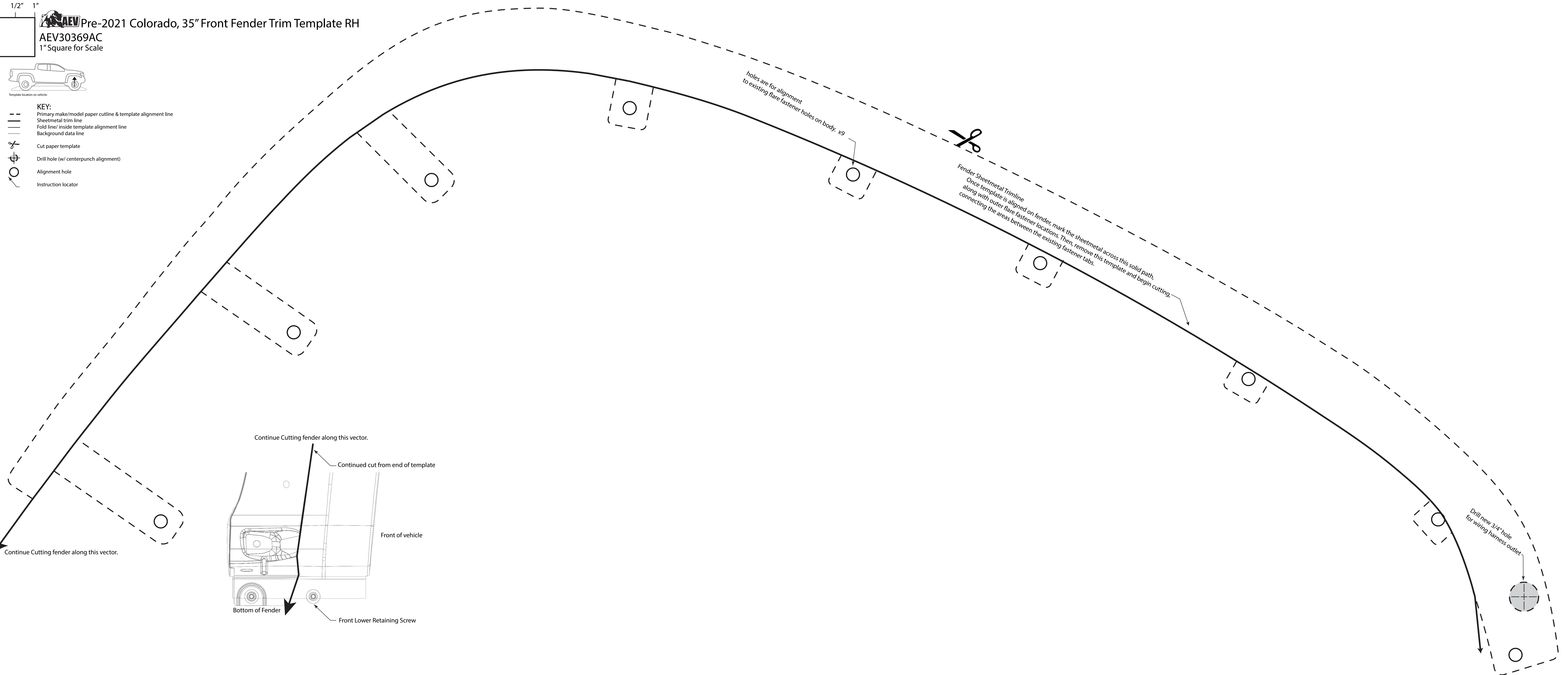
0 1/2" 1"

AEV Pre-2021 Colorado, 35" Front Fender Trim Template RH

AEV30369AC
1" Square for Scale



- Template location on vehicle:
- KEY:**
- Primary make/model paper cutline & template alignment line
 - Sheetmetal trim line
 - Fold line/ inside template alignment line
 - Background data line
 - ✂ Cut paper template
 - ⊕ Drill hole (w/ centerpunch alignment)
 - Alignment hole
 - ↖ Instruction locator



Continue Cutting fender along this vector.

Continue Cutting fender along this vector.

Continued cut from end of template

Front of vehicle

Bottom of Fender

Front Lower Retaining Screw

holes are for alignment to existing flare fastener holes on body: x9

Fender Sheetmetal Trimline
Once template is aligned on fender, mark the sheetmetal across this solid path, along with outer flare fastener locations. Then, remove this template and begin cutting, connecting the areas between the existing fastener tabs.

Drill new 3/4" hole for wiring harness outlet