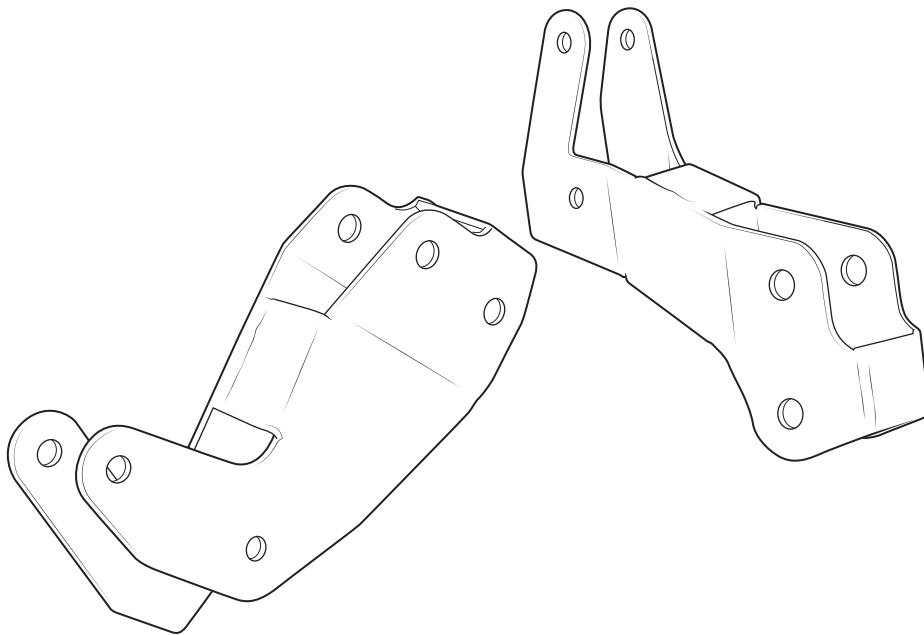




GEOMETRY CORRECTION BRACKETS

FOR JL WRANGLER





PLEASE READ BEFORE YOU START

To guarantee a quality installation, we recommend reading these instructions thoroughly before beginning any work. These instructions assume a certain amount of mechanical ability and are not written nor intended for someone not familiar with auto repair.

INCLUDED PARTS	QTY	REQUIRED TOOLS
RH Bracket Assembly	1	Common Hand Tools
LH Bracket Assembly	1	Jack and Jack Stands
Hardware Pack	1	



Installation with AEV 2" Spacer and 2.5" DualSport Suspensions

1. These drop brackets are engineered to work with AEV 2" and 2.5" suspensions. They will also work with other suspension brands, however it is important your vehicles ride height falls within the specified range. If you are installing these brackets with a Non-AEV suspension, proceed to Section B for instructions on measuring ride height.

NOTE: This installation is best performed with all four wheels on the ground.

2. **WORK ON ONE SIDE AT A TIME!** If not already done from previous suspension work, loosen all 8 upper and lower control arm bolts. Remove the upper and lower control arm bolts at the frame end and save the factory hardware (Fig 1)

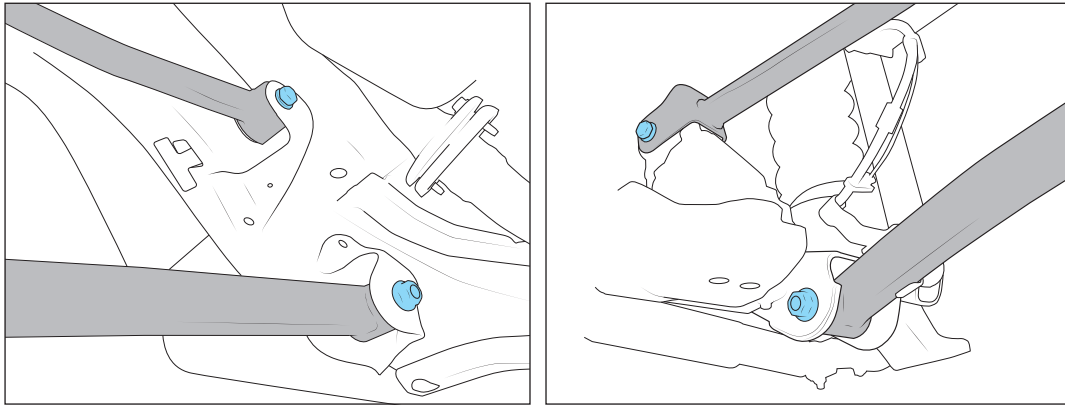


Figure 1: Frame-side (left) Axle-side (right).

3. Install the brackets as shown (Fig. 2). Use the factory hardware and supplied spacers (which will fill the void for the control arms) in the original control arm mounting locations.
4. Use the supplied bolts, nuts, and washers to mount the control arms in the new dropped locations. Use M12 fasteners for the upper control arms and M16 for the lower control arms (Fig. 2).

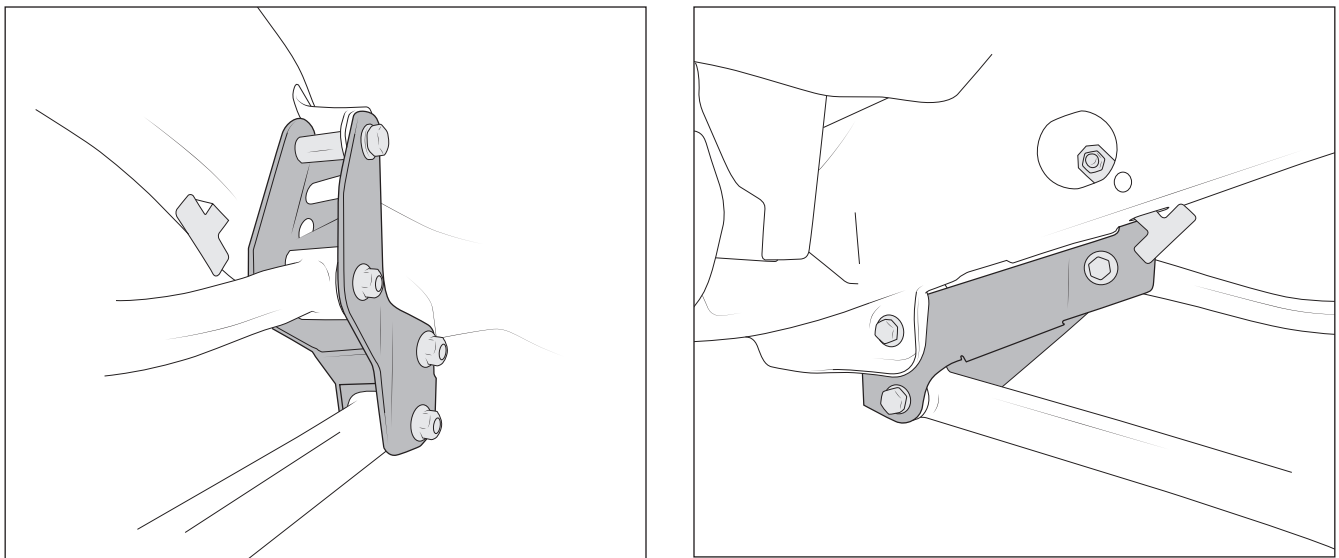


Figure 2: Inboard View (left) Outboard View (right)



5. Torque using the chart below.

JOINT	TORQUE (FT-LB)
Front UCA to Axle	80
Front UCA to Frame and AEV Brackets	80
Front LCA to Axle	190
Front LCA to Frame and AEV Brackets	190

Installation with Non-AEV Suspensions

1. You'll first need to get a measurement from your vehicle to determine whether or not you should be using the drop brackets. Measure from the bottom of the frame to the top of the spring seat (Fig. 3).

NOTE: If your measurement is less than 5 inches we do not recommend these brackets.

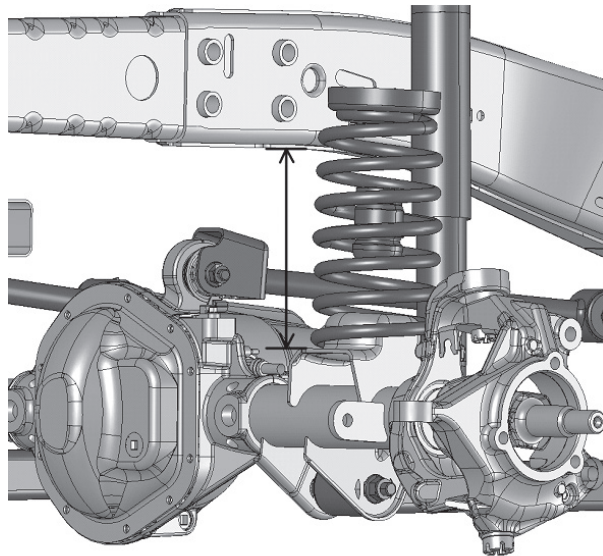


Figure 3

2. If your measurement is greater than 6.5 inches adjustable control arms may be required to achieve the proper caster angle.
3. You can now proceed to part A to finish the installation of the drop brackets.