

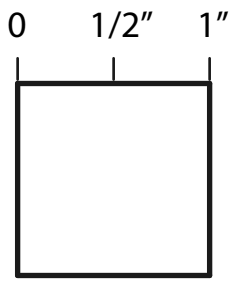


# Trans Drill Template\_01

## AEV30313AA

Last Updated: 04/15/19

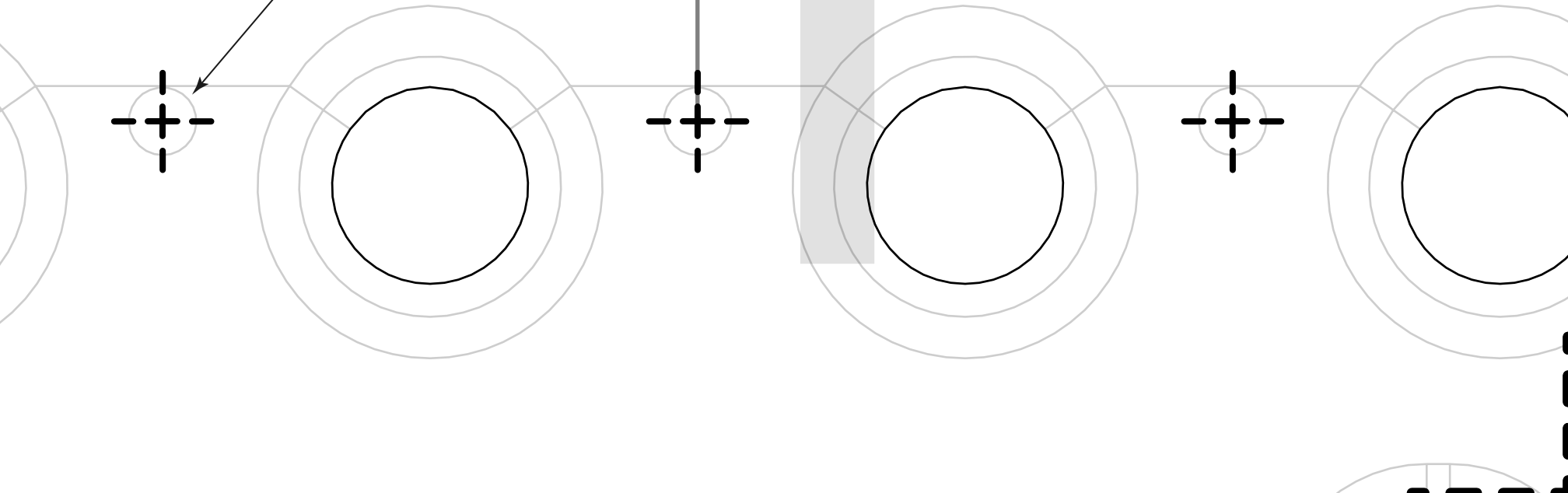
1" Square for Scale



Trim template and tape to skid edge to locate holes

Drill out all  $29/64$ "  
(11.5094mm) holes (x6)

97mm/3.81"



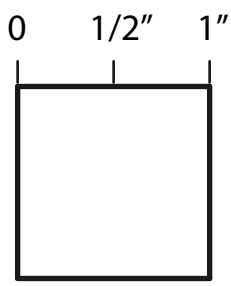


# Trans Drill Template\_02

## AEV30313AA

Last Updated: 04/15/19

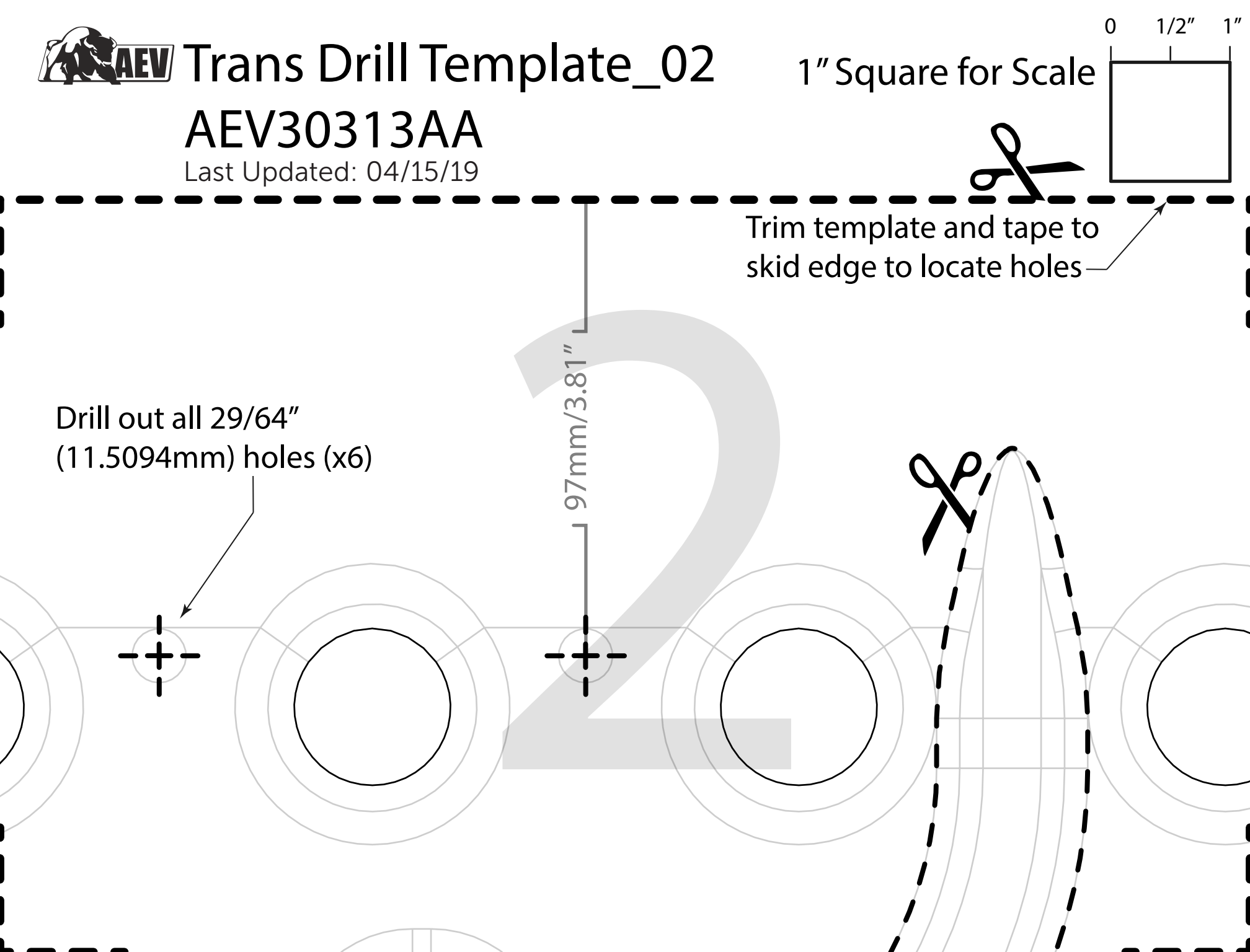
1" Square for Scale



Trim template and tape to skid edge to locate holes

Drill out all  $29/64$ "  
(11.5094mm) holes (x6)

97mm/3.81"



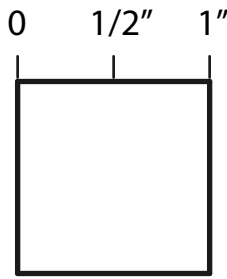


# Trans Drill Template\_03

## AEV30313AA

Last Updated: 04/15/19

1" Square for Scale



Trim template and tape to skid edge to locate holes

97mm/3.81"

Drill out all  $29/64"$   
(11.5094mm) holes (x6)

