



# FRONT LICENSE PLATE KIT FOR USE WITH A HAWSE FAIRLEAD



INCLUDED PARTS	QTY	REQUIRED TOOLS
License Plate Bracket	1	Basic hand tools
Molded License Plate Holder	1	
Thumbscrews	2	

## INSTRUCTIONS

- Locate the License Plate Bracket between the hawse fairlead and the bumper face (Fig 1).
- Use the hardware supplied with the Winch kit for installing the fairlead.
- Use the Molded License Plate Holder and thumbscrews to complete the installation (Fig 2).

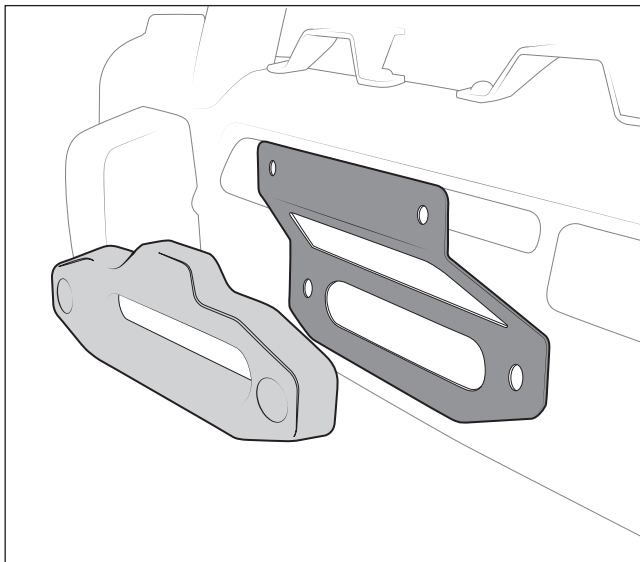


Figure 1

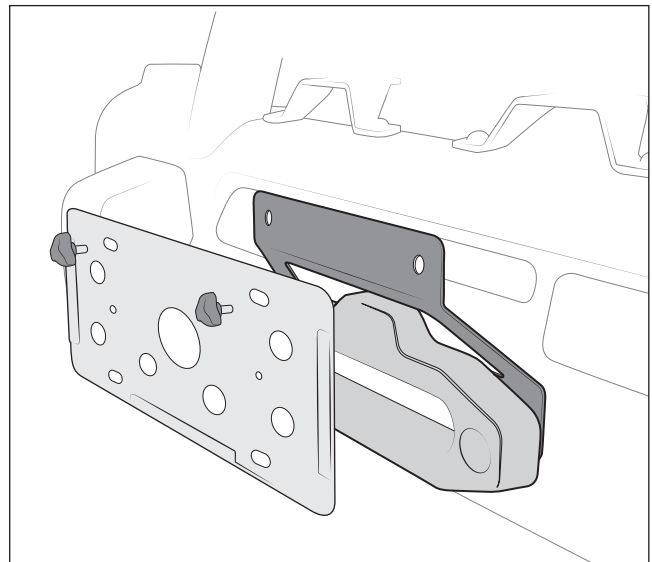


Figure 2