



FUEL TANK SKID

FOR CHEVY COLORADO



AEV30337AB
Last Updated: 08/22/19

INSTALLATION GUIDE



PLEASE READ BEFORE YOU START

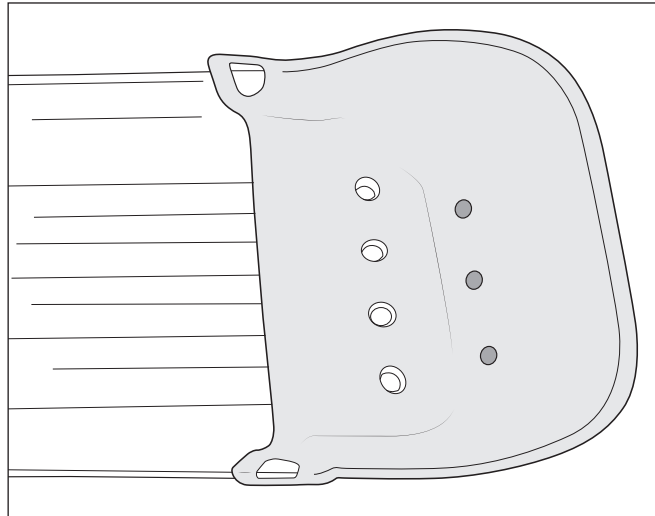
To guarantee a quality installation, we recommend reading these instructions thoroughly before beginning any work. These instructions assume a certain amount of mechanical ability and are not written nor intended for someone not familiar with auto repair.

INCLUDED PARTS	QTY	REQUIRED TOOLS
Fuel Tank Skid Plate	1	Common Hand Tools
Pencil Brace Inboard	2	Drill & Drill Bits
Pencil Brace Outboard	1	
Hardware Pack	1	

NOTE: If installing the AEV Transfer Case Skid, complete that process before installing the Fuel Skid.

INSTALL LINER

1. Install plastic liner into the rear of the Fuel Skid and securing with three plastic push clips.



DRILL OUTER FRAME HOLE

NOTE: Vehicles produced after December 2018 will have some holes pre-drilled.

2. If Vehicle is equipped with Transfer Case Skid:
 - A. Attach Fuel Skid to Transfer Case Skid using 4 M10 Hex Bolts (fig. 1). Support back of Fuel Skid with a jack.
 - B. Mark hole location on outer frame rail, remove the skid, and drill marked hole to 27/64" (fig. 2). NOTE: Hole may be pre-drilled on later models.

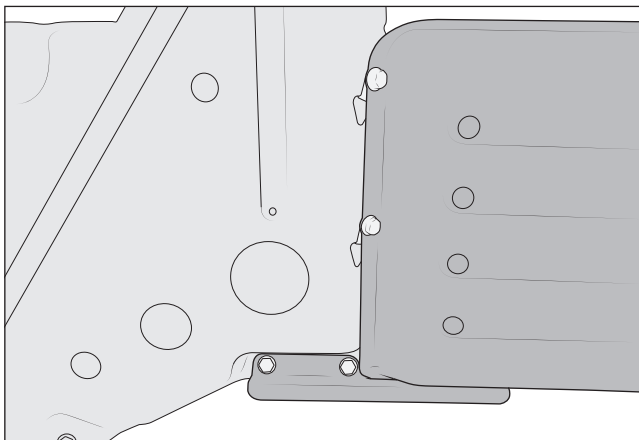


Figure 1

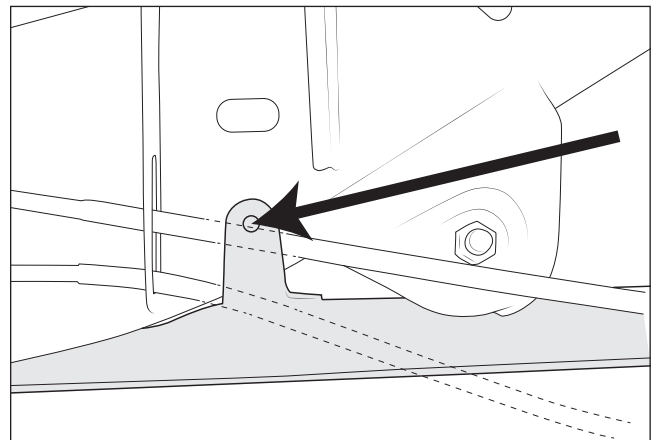


Figure 2

3. If Vehicle is not equipped with Transfer Case Skid, use template AEV30319AA, to mark and drill the hole on the outside of the drivers-side frame rail.

MOCK UP FUEL SKID

1. Lift the Fuel Skid in place and support using a jack stand.
2. Insert flag nut into frame rail and loosely secure using an M10 Hex Bolt (fig. 3).

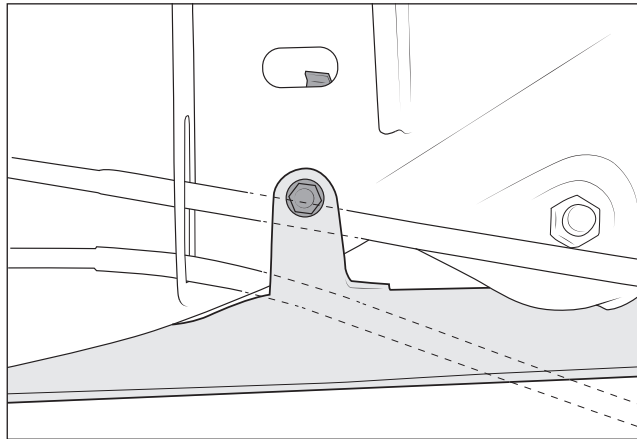


Figure 3

3. Loosely install QTY 4 M10 Hex Bolts attaching the Fuel Skid to the Transfer Case Skid [If equipped](fig. 1).
4. Loosely install all three pencil braces onto the Fuel Skid using QTY 3 M10 Nuts. The angled pencil brace should be installed on the outboard/frame side of the fuel skid (fig. 4). NOTE: Outboard hole may be pre-drilled on later models.

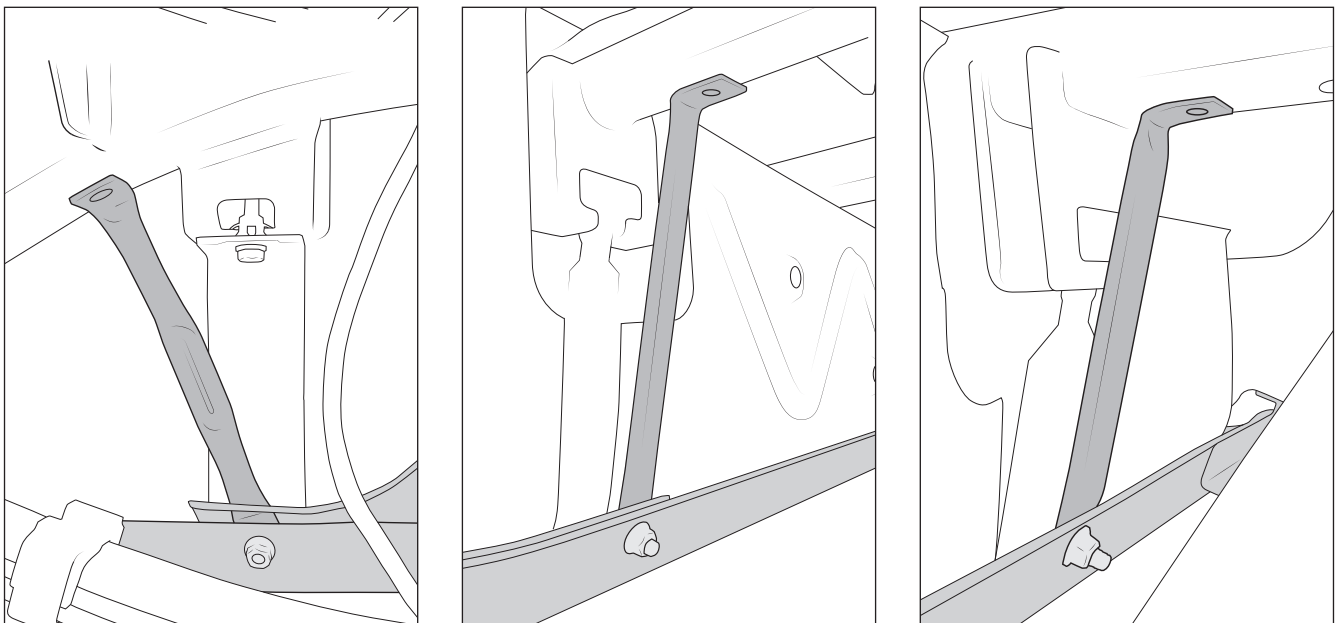


Figure 4: Outboard/Rear (left) Inboard/Rear (center) Inboard/Front (right)

5. Mark hole locations for pencil braces on frame and crossmembers.
6. Remove pencil braces and drill the three marked pencil brace mounting holes. The two rear most holes will be 1/4", and the front most pencil brace hole will be 13/32".
7. Prep all drilled holes with rust preventative.



FINAL INSTALLATION

8. Secure all three pencil braces onto Fuel Skid using M10 Nuts.
9. Secure the two rear pencil braces to the vehicle using M8 Self Tapping Bolts.
10. Insert flag nut into square crossmember above front pencil brace and secure using M10 Bolt.
11. Tighten all hardware.

