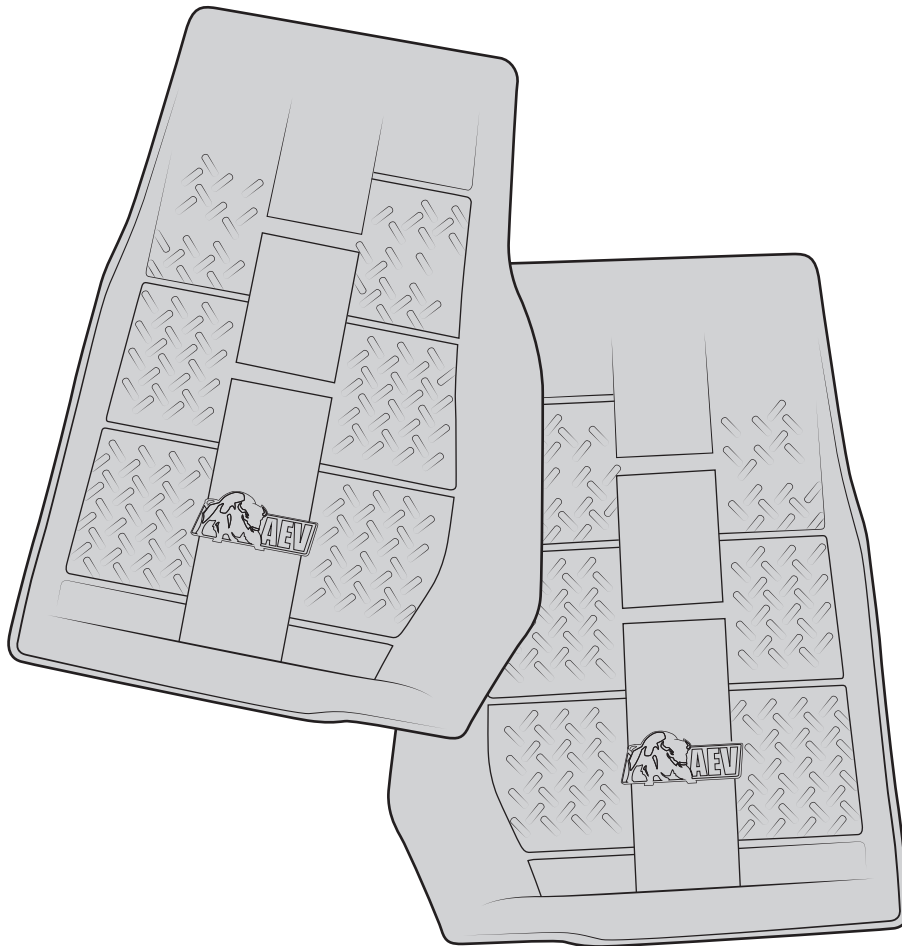




JK FRONT FLOOR MATS



AEV30116AB
Last Updated: 03/13/13

INSTALLATION GUIDE



PLEASE READ BEFORE YOU START

TO GUARANTEE A QUALITY INSTALLATION, WE RECOMMEND READING THESE INSTRUCTIONS THOROUGHLY BEFORE BEGINNING ANY WORK. THESE INSTRUCTIONS ASSUME A CERTAIN AMOUNT OF MECHANICAL ABILITY AND ARE NOT WRITTEN NOR INTENDED FOR SOMEONE NOT FAMILIAR WITH AUTO REPAIR.

INCLUDED PARTS	QTY	REQUIRED TOOLS
LH Floor Mat	1	Small Flathead Screwdriver (1/8th-in)
RH Floor Mat	1	Flashlight
Molded Mat Retainers	2	

WARNING

NOTICE: ONLY CUSTOMER SHOULD REMOVE THIS TAG



To prevent floor mats from interfering with the operation of the accelerator, brake or clutch pedal, you must follow these instructions. Failure to do so can result in an accident causing serious injury or death.

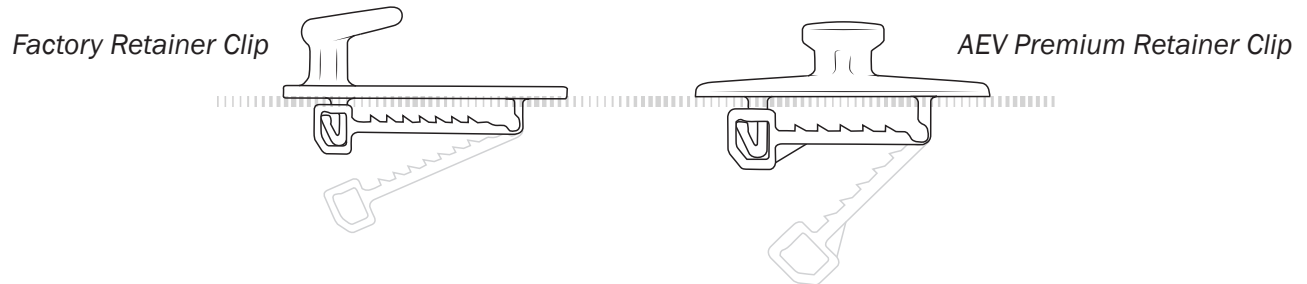
Always make sure that floor mats are properly attached to the floor mat fasteners.

Never install floor mats that cannot be properly secured to the floor mat fasteners.

Never install one floor mat on top of another floor mat.



Installation of the AEV Front Floor Mat requires the removal of the factory “hook” style retainer and the installation of the supplied Premium “button” style retainer.



INSTALLATION

1. Remove factory floor mats.
2. Lift the front of the retainer clip from the carpet to expose the snap lock mechanism.
3. Insert the tip of a small flathead screwdriver into the snap lock.
4. Rotate the screwdriver to unlock the snap. The clip will spring open
5. Remove factory retainer clip from floor carpet.
6. Insert supplied AEV clip through carpet slits, making sure the hinge is towards the rear, and push closed to secure snap lock.

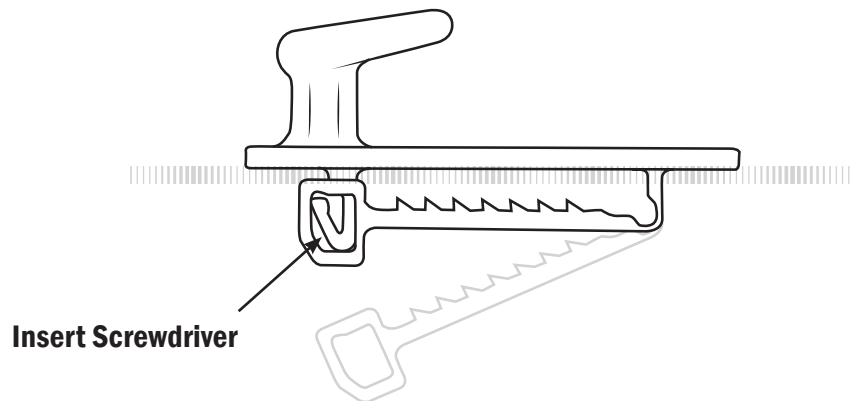


Figure 1