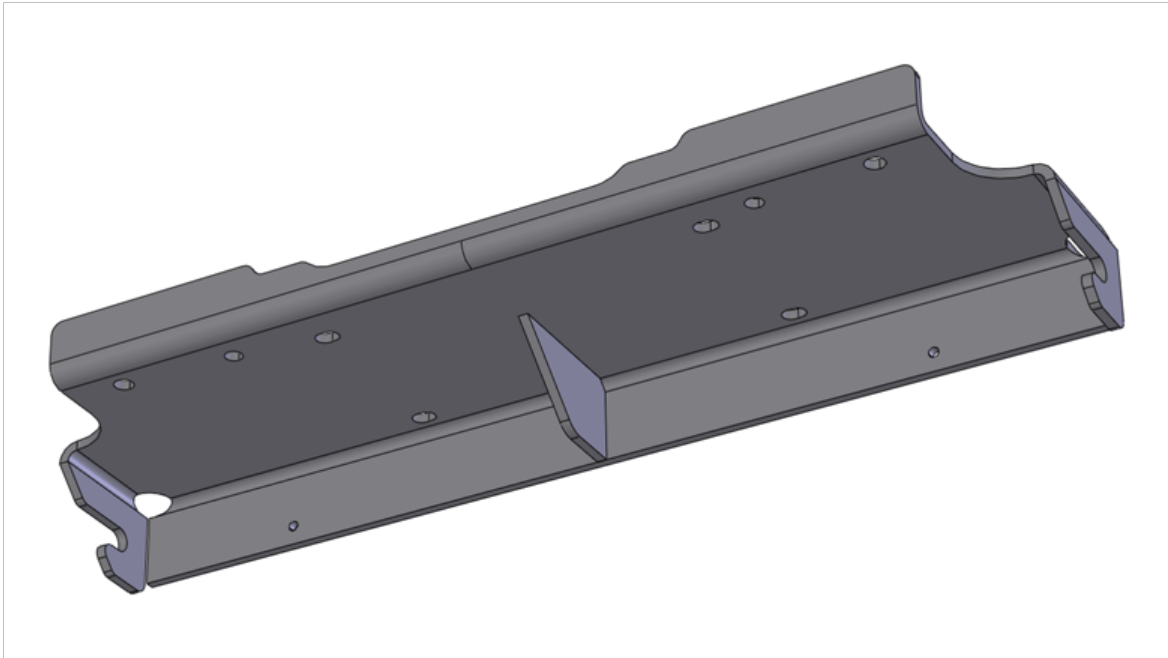




////////////////////////////////////

# JK WINCH MOUNT

FOR CALL OF DUTY MW3 EDITION WRANGLER





## **PLEASE READ BEFORE YOU START**

TO GUARANTEE A QUALITY INSTALLATION, WE RECOMMEND READING THESE INSTRUCTIONS THOROUGHLY BEFORE BEGINNING ANY WORK. THESE INSTRUCTIONS ASSUME A CERTAIN AMOUNT OF MECHANICAL ABILITY AND ARE NOT WRITTEN NOR INTENDED FOR SOMEONE NOT FAMILIAR WITH AUTO REPAIR.

<b>INCLUDED PARTS</b>	<b>QTY</b>	<b>REQUIRED TOOLS</b>
Winch Plate	1	Common Hand Tools
Fairlead Bracket	1	1/2" Drill Bit
Hardware Pack	1	



## A. VEHICLE PREPARATION

1. You will need to remove the Skid Plate and Front Bumper from the vehicle prior to installing the Winch Mount. **Save all hardware except where noted.**
2. Start by removing the Skid Plate. Remove the six (6) M8 front bolts and two (2) M10 rear bolts. Leave the U-nuts on the bumper edge and compatibility beam for re-installation.
3. Remove the plastic filler panel located between the bumper and the grill.
4. Disconnect the fog lamp wiring from the lamps and remove the two (2) bolts at each side of the bottom of the bumper. The fog lamp and bracket can be removed as one assembly.
5. Remove the four (4) M10 bolts on the backside of the bumper attaching the bumper to the closeout brackets.
6. While a helper holds the bumper in place, remove the eight (8) main button head bolts from the front of the bumper.
7. Remove the bumper from the vehicle and place on a paint-friendly work surface.
8. Remove the top winch delete cover plate and discard.
9. Remove the front winch fairlead block off plate and discard.
10. Remove the large spacer plates from the main mounting bolts and discard.
11. Remove the vacuum pump from the factory bracket. Set aside and save the hardware.
12. Trim the factory vacuum pump bracket for winch clearance (Fig 1).

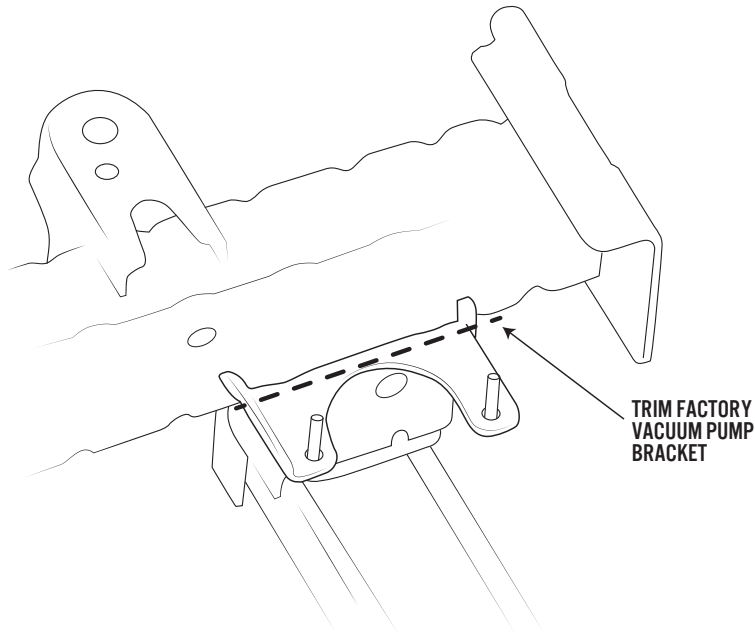


Figure 1



## B. WINCH INSTALLATION

1. Attach the winch plate and fairlead brackets together. Use the M12 hex head bolts and flange nuts going from the bottom up (Fig 2).

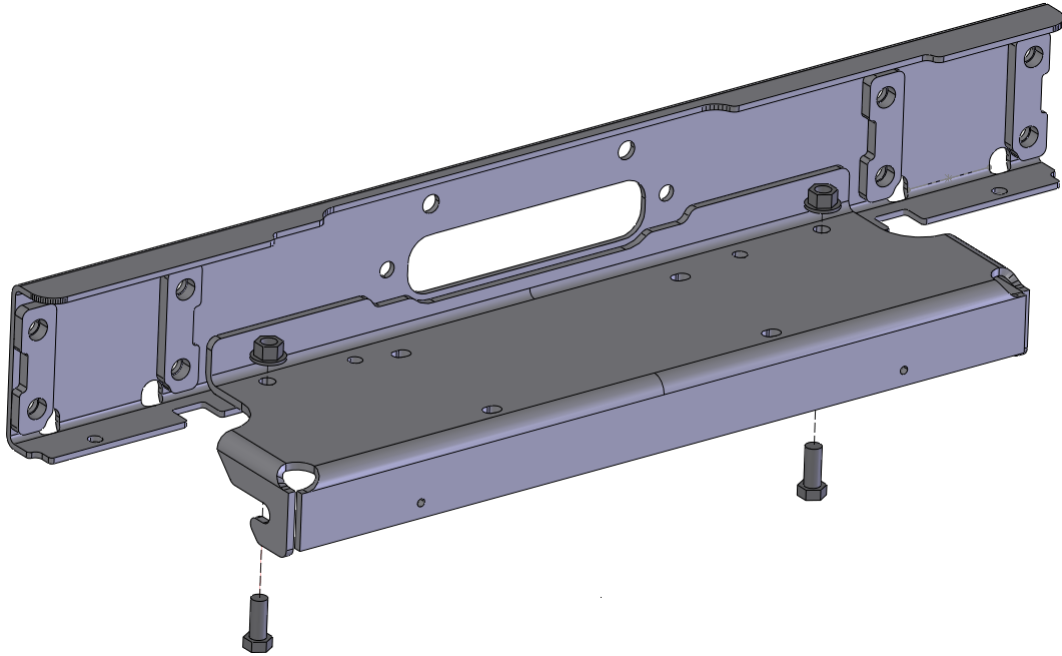


Figure 2

2. Attach the supplied AEV vacuum pump bracket to the winch mount using the hardware provided (Fig 3).

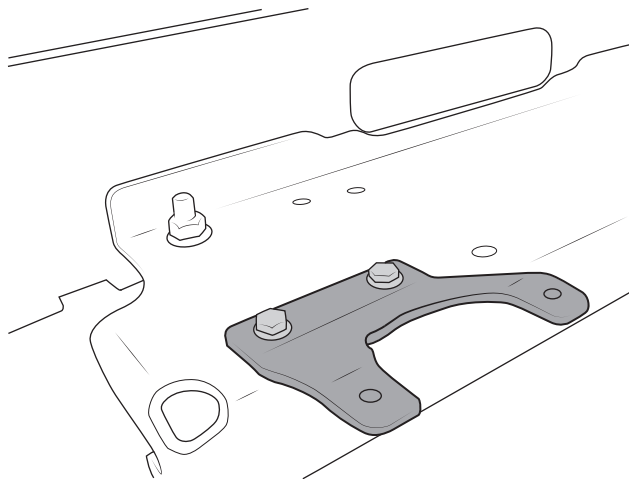


Figure 3



3. Drill out the lower mounting hole to 1/2" as shown to allow the bolt to pass through (Fig 3).

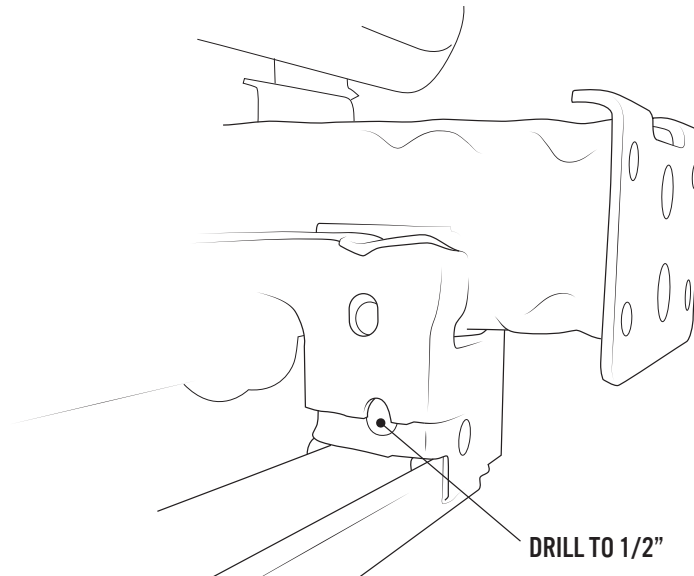


Figure 3

4. Place the winch mount assembly into position onto the frame.
5. With the winch mount aligned, bolt the winch mount to the lower frame attachment points using the M12 hex head bolts, washers, and nut plate (Fig 4).

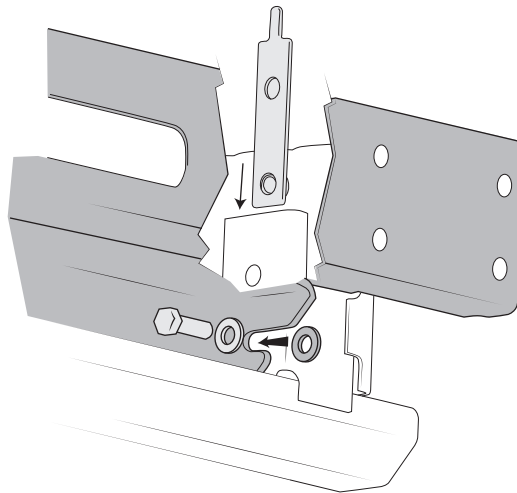
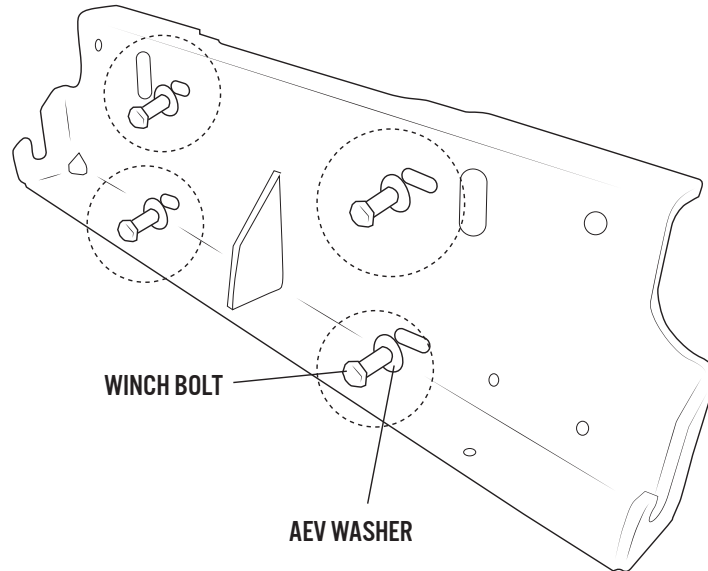


Figure 4

6. Install the vacuum pump onto the AEV vacuum pump bracket using the factory hardware. Be sure to reconnect the vacuum pump.



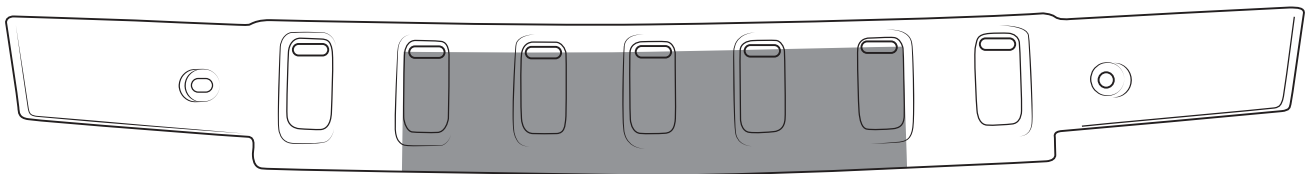
7. Install the square nuts that come with the winch kit into the winch feet. A little silicone is helpful to hold them in place.
8. Place the winch onto the winch mount. Install winch mounting bolts but DO NOT tighten at this time. You will do this after installing the bumper. **IMPORTANT NOTE: When installing the Winch YOU MUST use the AEV supplied washers ALONG WITH the bolts from the Winch kit (as shown). This will ensure a safe and secure attachment.**



### C. FINAL ASSEMBLY

It is necessary to trim the plastic filler panel removed in step A-3 for winch clearance. The following steps illustrate how to trim the panel to fit a Warn 9.5cti style winch. Because there are many different winches available in the market, your trim may vary. You can use different tools for this job. A reciprocating saw with a metal cutting blade will work fine. An air saw or hand saw will also work as well. Clean up the edges using sand paper or a razor knife.

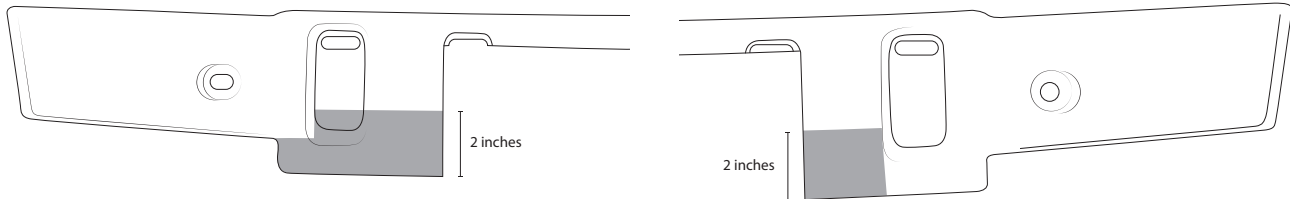
1. Start by cutting the filler panel as shown below. Insert your saw and cut through the 5 center slots. This will give you a good starting point for most winch profiles. This trim will provide approximately 16" of width. Measure the main body of your winch and adjust this as necessary.



*Remove This Section*



- Next make additional cuts to accommodate the ends of the winch. The images below show the necessary trim for the Warn 9.5cti.
- Verify the trim panel clearance to the winch, modify if required, and re-install using the factory scrivets saved from disassembly.



- Re-install the bumper (you can download complete bumper instructions at [aev-conversions.com](http://aev-conversions.com)).  
**NOTE:** Remember to use the short button head bolt and plain nut supplied in the supplement kit in the right side upper-most inner location when re-installing the bumper. Using a long bolt here would interfere with the winch motor.
- Align winch and tighten bolts.
- Use the hardware provided with your winch to attach the winch fairlead to the bumper.
- Re-install fog lights.
- Re-install skid plate.

Refer to the chart below for Torque specifications.

Fastener Size	Torque in ft/lbs
5/16"	16
M6	7
M8	16
M10	34
M12	55