



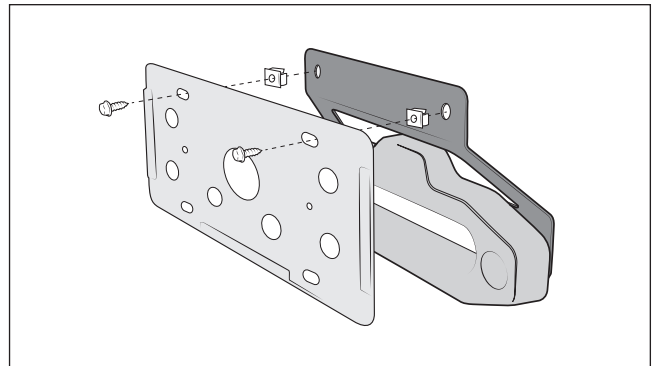
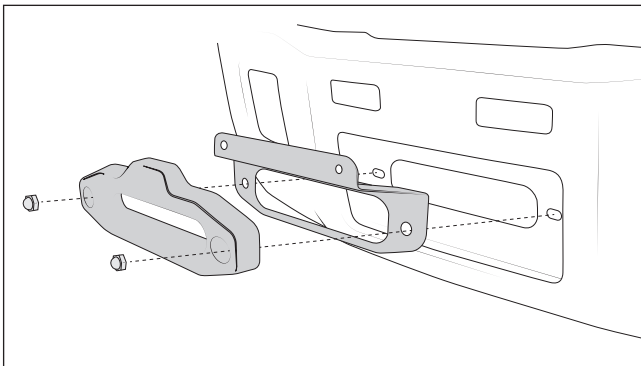
# FRONT LICENSE PLATE KIT RAM FRONT BUMPER

| INCLUDED PARTS              | QTY | REQUIRED TOOLS   |
|-----------------------------|-----|------------------|
| License Plate Bracket       | 1   | Basic hand tools |
| Molded License Plate Holder | 1   |                  |
| Hardware Pack               | 1   |                  |

## INSTRUCTIONS

### I. FOR USE WITH A HAWSE FAIRLEAD

- Position the license plate bracket between the front bumper and hawse fairlead. Secure using the hardware supplied with the fairlead.
- Insert the nylon push nuts into the license plate bracket. Attach the license plate holder and plate to the bracket using the license plate screws.



### II. FOR USE WITHOUT A WINCH

- Attach the license plate bracket to the bumper using the supplied M10 bolts, washers, and nuts.
- Insert the nylon push nuts into the license plate bracket. Attach the license plate holder and plate to the bracket using the license plate screws.

