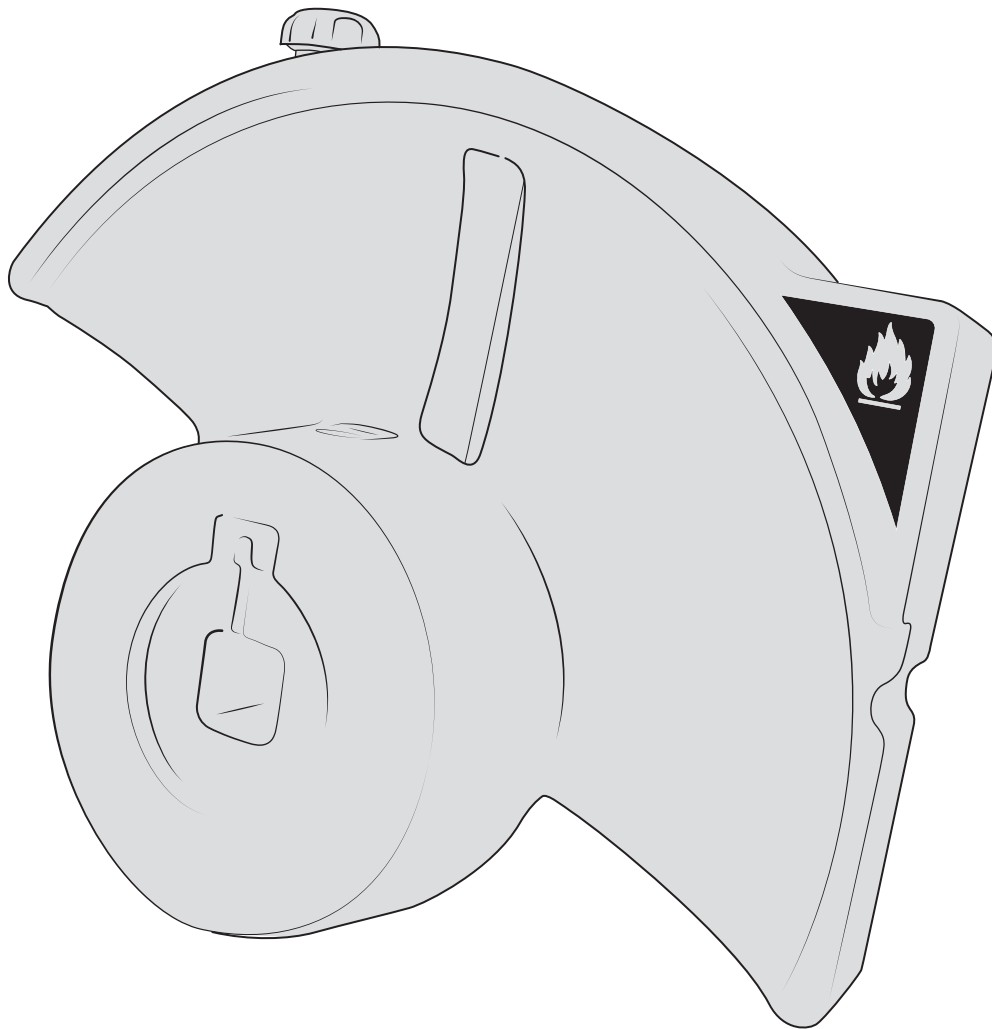




FUEL CADDY

US PATENT: 8,690,033 CHINESE PATENT: ZL 2012 3 0018621



AEV30204AD
Last Updated: 04/01/14

INSTALLATION GUIDE



PLEASE READ BEFORE YOU START

TO GUARANTEE A QUALITY INSTALLATION, WE RECOMMEND READING THESE INSTRUCTIONS THOROUGHLY BEFORE BEGINNING ANY WORK. THESE INSTRUCTIONS ASSUME A CERTAIN AMOUNT OF MECHANICAL ABILITY AND ARE NOT WRITTEN NOR INTENDED FOR SOMEONE NOT FAMILIAR WITH AUTO REPAIR.

INCLUDED PARTS	QTY	REQUIRED TOOLS
Fuel Caddy	1	Standard Hand Tools
Fuel Cap	1	
Rear Mounting Plate	1	
Top Mounting Plate	1	
Top Mounting Plate Edge Trim	1	
5/16"-18 Button Head Bolt	6	
5/16" Flat Washer	6	
P Clamp	1	
Fir Tree Cable Tie	1	
1/2" Threaded Push Nut	3	
7/8" Hex Nut	1	



Before You Begin:

You will first need to disconnect the Tire Carrier turnbuckle linkage from the tailgate bracket so the Tire Carrier will swing away from the vehicle.

remove your spare tire and Tire Mount from your AEV Tire Carrier.

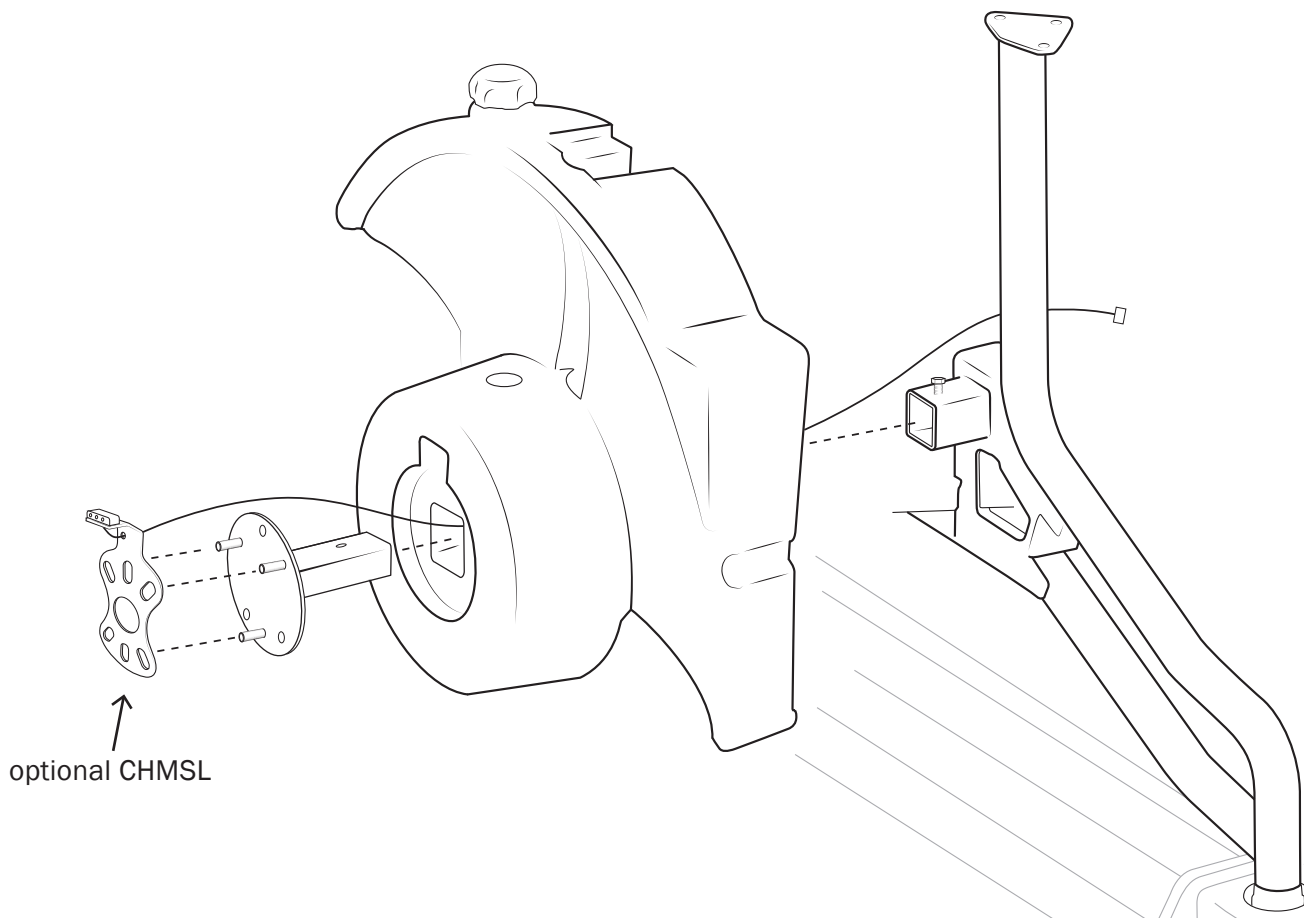
If you have an AEV CHMSL (Center High-Mount Stop Light) you will need to disconnect the wiring and remove the light as well (this will be reinstalled).

You are now ready to install your new AEV Fuel Caddy.

We recommend using Anti-seize on all fasteners.

1.

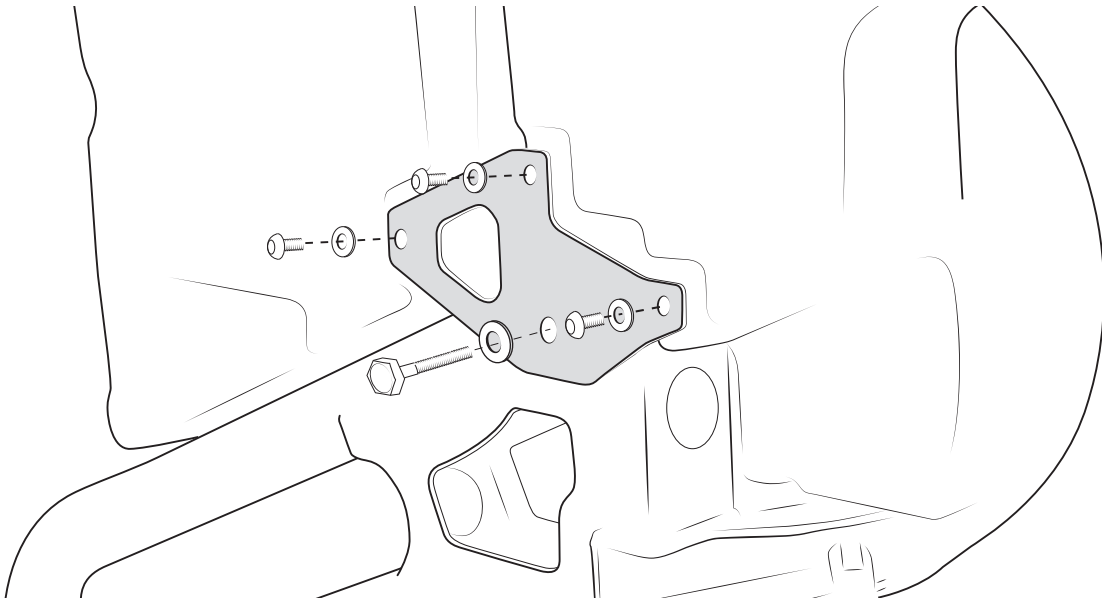
Insert Tire Mount through center hole of Fuel Caddy as shown. (If you are installing an AEV CHMSL, feed the wiring over the Tire Mount and through the center hole as well).





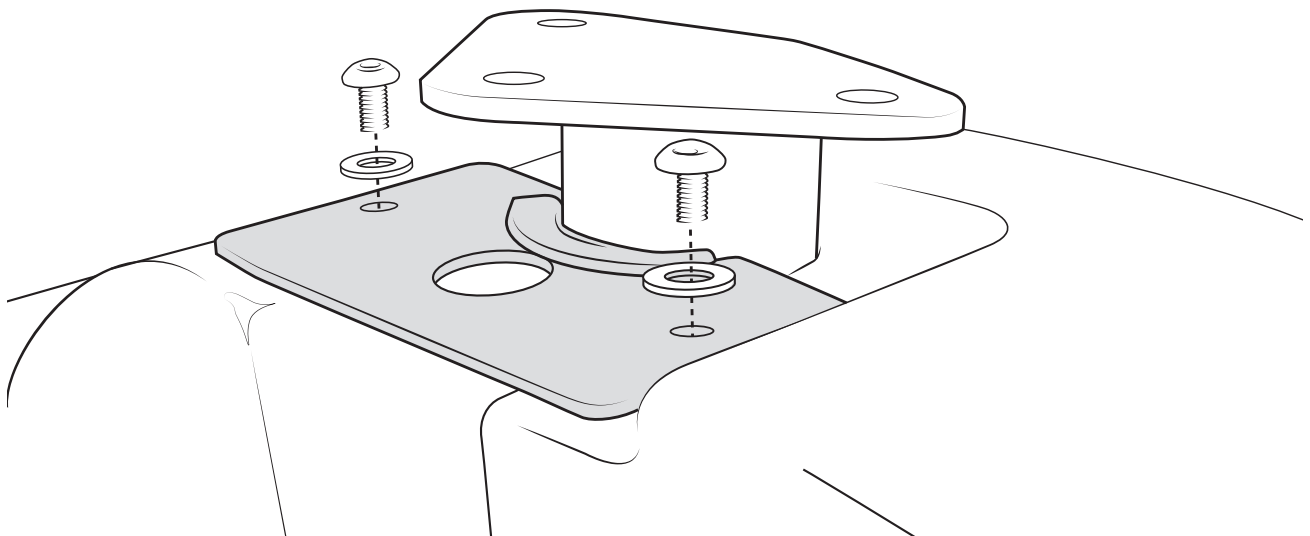
2.

Lift Assembly onto the Tire Carrier. Position back plate bracket behind Tire Carrier as shown and secure Fuel Caddy with three 5/16"-18x Button Head Bolts and 5/16" washers. Thread the Tire Mount Bolt through the back of the Tire Carrier to secure.



3.

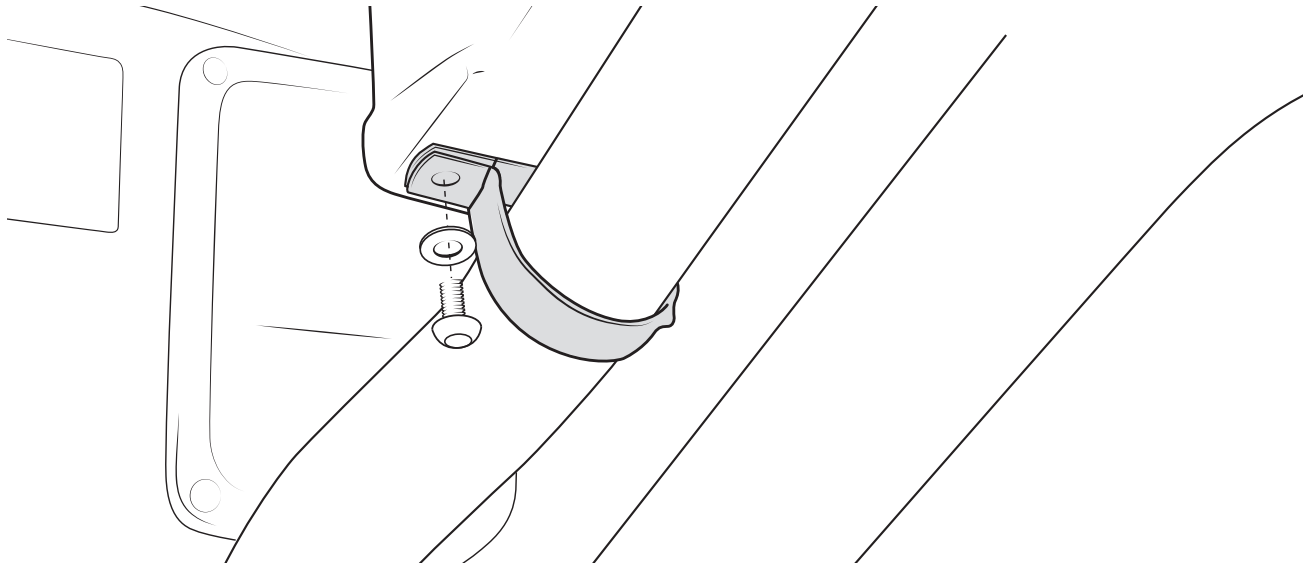
Slide the Edge Trim onto the Fuel Caddy top plate bracket. Position bracket as shown and secure to Fuel Caddy with two 5/16"-18 Button Head Bolts and 5/16" washers.





4.

Position "P" clamp around Tire Carrier tube as shown and secure using one 5/16"-18 Button Head Bolt and 5/16" washer.

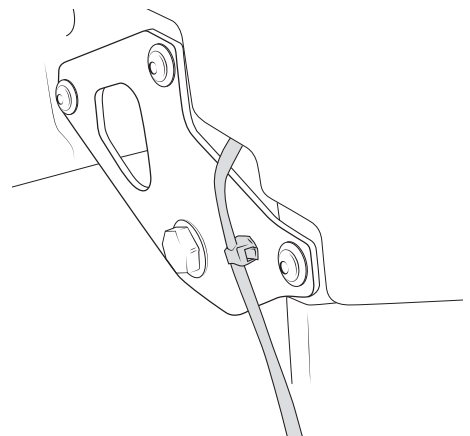


5.

Mount tire to Tire Carrier securing lug nuts. Tighten the tire mount bolt on the back of the Tire Carrier until the tire is pulled tight to the Fuel Caddy.

Remove tire and tighten the anti-vibration bolt (now accessible through top of Fuel Caddy.)

NOTE: If installing an AEV CHMSL, a FIR TREE cable connector is supplied to secure wiring to the Fuel Caddy back plate bracket. Follow the instructions for installing your CHMSL for connecting wiring through tailgate.



6.

Re-attach Turnbuckle Linkage to Tailgate bracket, mount tire to Tire Carrier, and screw on the Fuel Caddy ratchet cap.



7.

Assembling the siphon. Slide siphon hose through the supplied 7/8" hex nut. This will add weight and prevent the hose from curling inside Fuel Caddy. Next insert shaker siphon pump into siphon hose. Push the hex nut down over the siphon pump.

